



BROCHURE

# PLAIN BEARINGS

Published by:

Technische Handelsonderneming Nederland B.V. (THN)

Office address:

Hendrik ter Kuilestraat 30

7547 BD Enschede, the Netherlands

Contact:

Phone: +31 (0)53 - 432 34 46

E-mail: [info@thn.nl](mailto:info@thn.nl)

Site: [www.thn.nl](http://www.thn.nl)



Copyright © THN - All rights reserved

No part of this publication may be reproduced, stored in an automated data file or made public in any form or by any means, whether electronic, mechanical or by photocopying, recording or any other method, without the prior written permission of the publisher.

Reproduction of this brochure without the written permission of the publisher is also not permitted.



SCAN FOR  
VCARD



SINCE 1940

# Technical supplier



THN is a specialist in technical products, we have divided these products into five product groups: piston rings, Fey laminar rings, plain bearings, sintered filters en linear components.

We can deliver these millions of products superfast thanks to a smart stock, far-reaching IT automation and efficient logistics.



# 06

## PLAIN BEARING OVERVIEW



08

**Sintered bronze bearings**  
High sliding velocities and maintenance-free



12

**PTFE bearings**  
High load capacity and maintenance-free



16

**POM bearings**  
Minimal maintenance under severe operating conditions



20

**Wrapped bronze bearings**  
Long service intervals under severe operating conditions



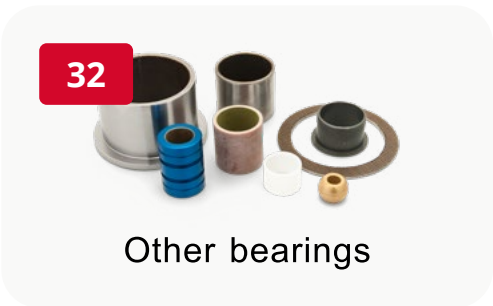
24

**Solid bronze bearings**  
Good in severe and contaminated conditions



28

**Maintenance-free bearings with lubricating plugs**  
Self-lubricating maintenance-free plain bearings for heavy-duty conditions



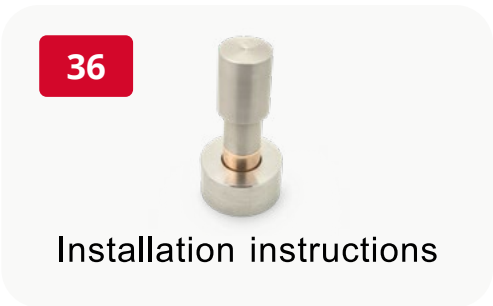
32

Other bearings



34

Technical specifications



36

Installation instructions

# The complete product line

## FIVE PRODUCT GROUPS

Besides plain bearings, THN also has an extensive range of piston rings, Fey laminar rings, sintered filters and linear components.



Piston rings



Fey laminar rings



Sintered filters



Linear components

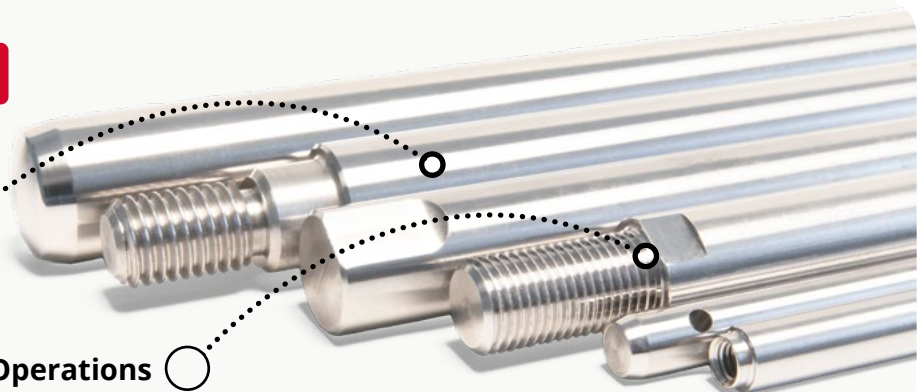


## FEATURED

Precision shafts



Operations



# THN plain bearings overview

	SINTERED BRONZE BEARINGS			PTFE BEARINGS		
	BRONZE	IRON	MoS <sup>2</sup>	STEEL	BRONZE	STAINLESS STEEL
	Self-lubricating	2	2	2	3	3
Maintenance-free	2	2	2	3	3	3
Dirty environments	1	0	0	0	0	0
Corrosion-resistant	1	0	1	1	2	3
High temperature	0	0	3	3	3	3
High load	0	0	0	2	2	2
Shock loads/vibrations	1	1	0	1	0	1
High sliding velocity	3	3	1	2	2	2
Low friction	2	2	1	3	3	3
Poor shaft surface finish	0	0	1	0	0	0
Small operating clearance	1	1	1	3	3	3
Insensitive to misalignment	1	1	1	0	0	0



0 Unsuitable    1 Good    2 Very good    3 Excellent

POM BEARINGS	WRAPPED BRONZE BEARINGS	SOLID BRONZE BEARINGS	MAINTENANCE-FREE BEARINGS WITH LUBRICATING PLUGS
-----------------	-------------------------------	-----------------------------	--

②

①

①

②

②

②

①

③

①

③

②

①

①

②

②

②

①

②

②

③

③

①

①

③

①

②

②

③

②

①

①

①

③

①

①

①

①

①

②

①

②

①

①

①

①

①

②

②



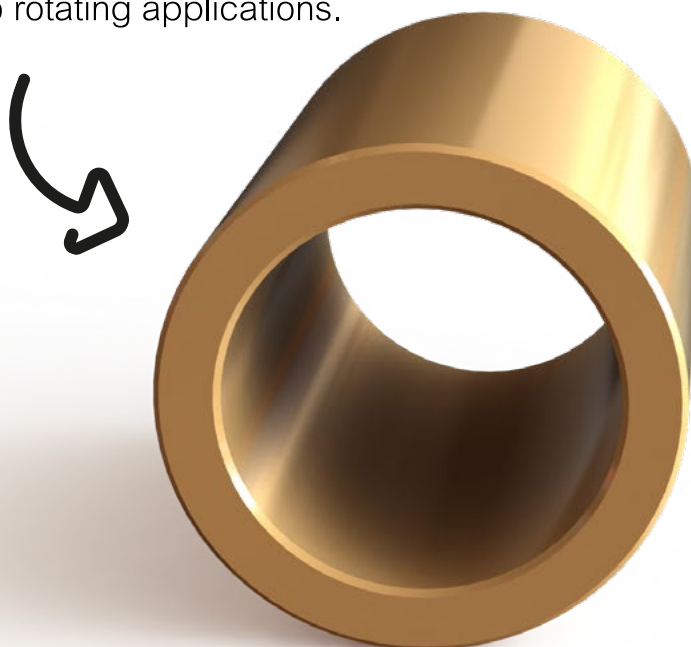


# Sintered bronze bearings

## HIGH SLIDING VELOCITIES AND MAINTENANCE-FREE

Sintered bronze bearings are characterized by being self-lubricating and maintenance-free. The sintered bronze bearings are made of porous bronze or iron and are usually filled with oil.

Their high permissible sliding velocities make these sintered bronze bearings ideally suited to rotating applications.



### PROPERTIES

	Sintered bronze	Sintered iron	MoS2
Max. load (Dyn/stat), N/mm <sup>2</sup>	10 / 50	9,5 / 50	2,5 / 50
Max. sliding speed m/s	5	5	0,25
Max. PV value N/mm <sup>2</sup> x m/s	1,6	1,6	0,4
Temperature range, °C	-10 / +90	-10 / +90	-50 / +300
Shaft tolerance	See table page 11	See table page 11	See table page 11
Housing tolerance	H7	H7	H7
Shaft roughness	Ra < 0,8	Ra < 0,8	Ra < 0,8
Shaft hardness	HB > 220	HB > 220	HB > 220



## MATERIALS

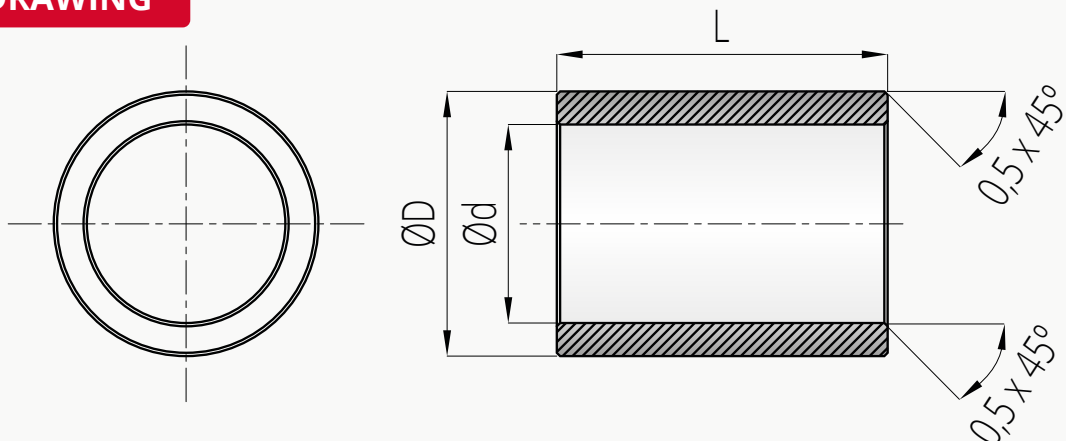
Most of the sintered bronze bearings supplied by THN are made from SINT A51 or a comparable material, and are 18% - 20% impregnated with mineral oil. THN also supply sintered iron or bronze bearings with MoS<sub>2</sub>.

Always ask us for instructions when bearings are being machined. This is necessary because of pores clogging.

## ADVANTAGES

- Self-lubricating
- Maintenance-free
- High sliding velocities
- Low friction coefficient
- Low-noise running

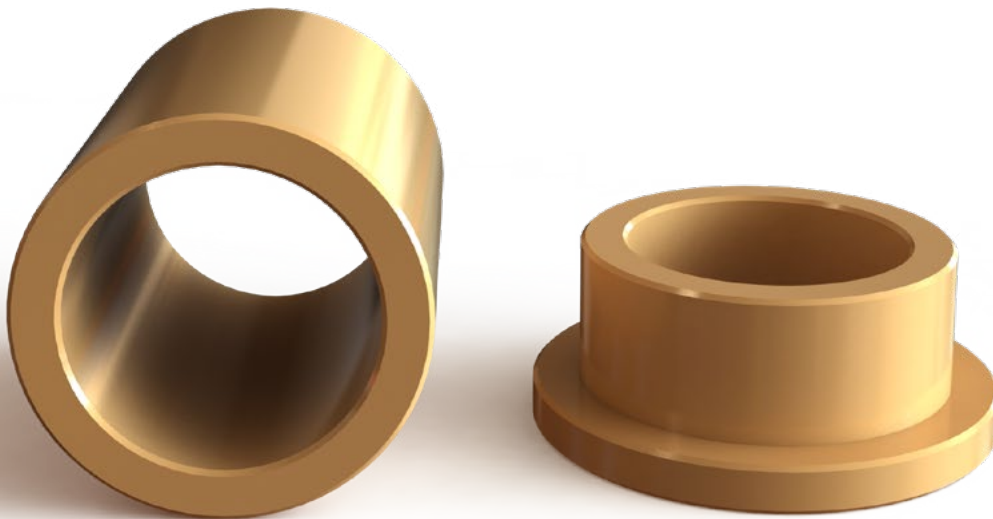
## DRAWING



# Sintered bronze bearings

## LUBRICATION

Most sintered bronze bearings are oil-filled. When storing and installing these bearings, they must not be allowed to come into contact with absorbent materials which could extract the oil from the bearings. Adding extra lubrication is not necessary under normal circumstances.



## APPLICATIONS

- Packaging machines
- Automotive
- Power tools
- Domestic appliances
- Starter motors
- Fans



[GO TO SIZE CHARTS →](#)

### TOLERANCE TABLE

Tolerance	d	D	L	D1	B	Ds	Dp	Di	Da
E7/r7	E7	r7	h13	js13	h13	H7	s5	F7	h8
E8/r8	E8	r8	h13	js13	h13	H7	s5	F7	h8
G7/s7	G7	s7	js13	-	-	H7	s5	H7	f7
G8/s8	G8	s8	js13	js13	js14	H8	s5	H8	f7
F7/s7	F7	s7	js13	-	-	H7	m6	H7	f7
F8/s8	F8	s8	js13	js13	js13	H8	m6	H8	f7

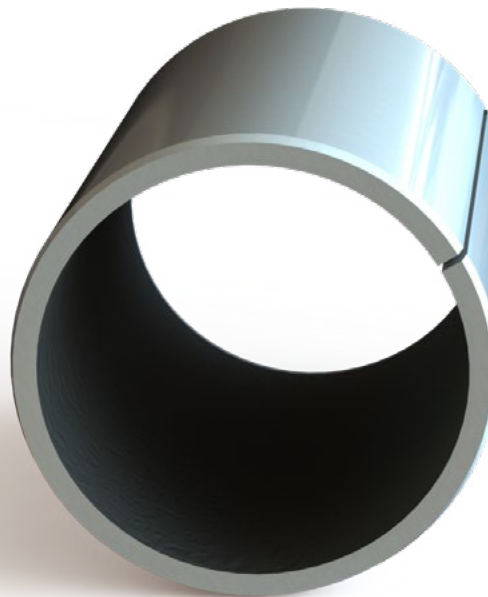
d = Inside dimension | D = Outside dimension | L = Length | D1 = Flange diameter | B = Flange thickness |  
 Ds = Bearing housing | Dp = Press arbor | Di = End tolerance | Da = Shaft

# PTFE bearings

## HIGH LOAD AND MAINTENANCE-FREE

PTFE bearings are ideal for applications with high loads and moderate speeds. They are characterized by being maintenance-free.

These bearings are produced according to ISO 3547 norm.



## PROPERTIES

	TU (Steel)	TU-B (Bronze)	TU-I (Stainless Steel)
Max. load (Dyn/stat), N/mm <sup>2</sup>	140 / 250	140 / 140	140 / 250
Max. sliding speed m/s dry	2,0	2,0	2,0
Max. sliding speed m/s hydrodynamic	>2,0	>2,0	>2,0
Max. PV value N/mm <sup>2</sup> x m/s	1,8	1,8	1,8
Temperature range, °C	-200 / +280	-200 / +280	-200 / +280
Shaft tolerance	f7 - h8	f7 - h8	f7 - h8
Housing tolerance	H7	H7	H7
Shaft roughness	Ra ≤ 0,4	Ra ≤ 0,4	Ra ≤ 0,4
Shaft hardness	HB > 200	HB > 200	HB > 200

## MATERIALS

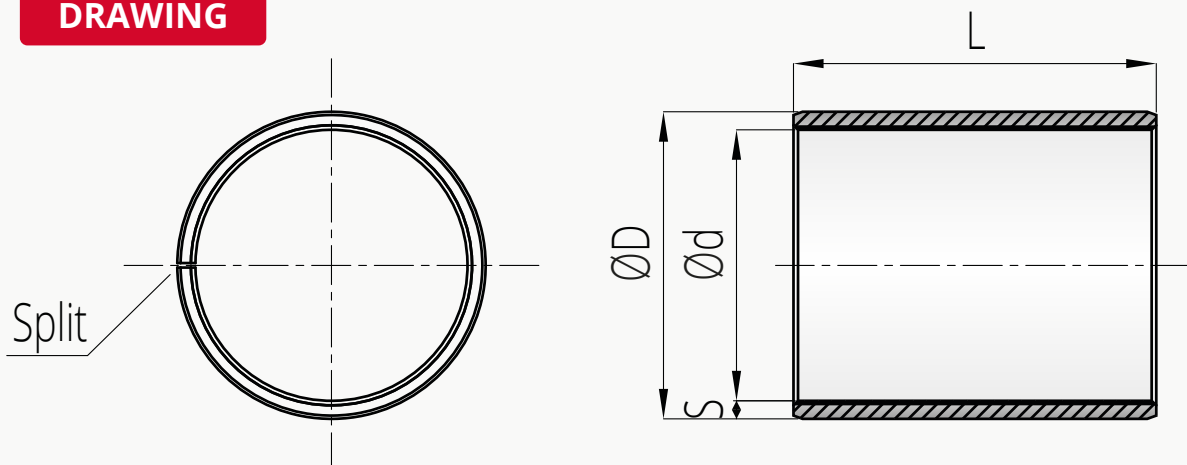
PTFE bearings are made with a steel or bronze backing as standard. A stainless steel backing is available on request. A sintered bronze layer is applied to the backing. This layer is provided with a PTFE-based self-lubricating unleaded sliding surface.

The bronze intermediate layer ensures efficient heat dissipation and makes for a strong joint between the backing and the sliding surface. The steel backing has layer of tin to prevent corrosion.

## ADVANTAGES

- Self-lubricating
- Maintenance-free
- High load
- Low friction coefficient
- Minimal bearing play
- Operating temperature up to 250°C

## DRAWING

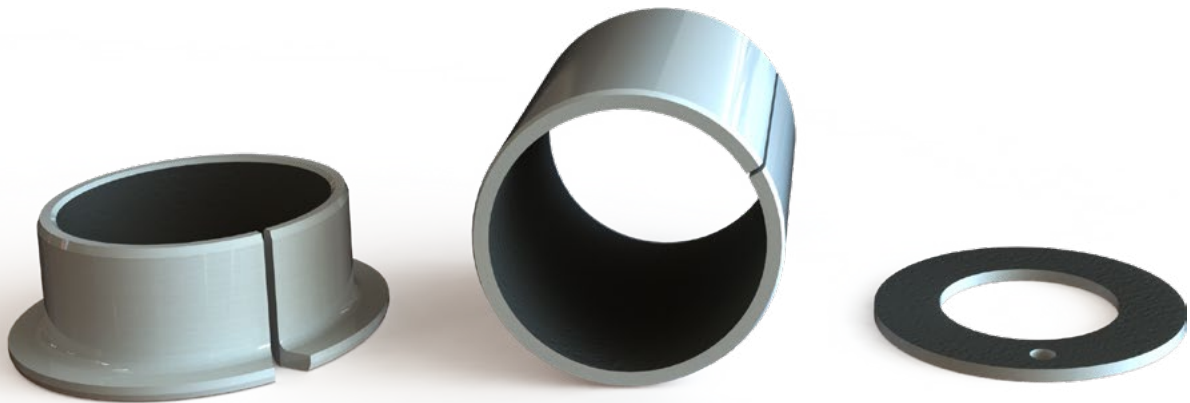


# PTFE bearings

## LUBRICATION

During a short run-in period, part of the run-in layer, the PTFE mixture, is transferred to the countermaterial. During the run-in period the bearing surface usually takes on a gray/green color. The characteristic low friction and wearing values are obtained at the end of the run-in period.

Adding oil or other non-corrosive fluids can enhance the bearing's performance.



## APPLICATIONS

- Elevators
- Hydraulics
- Textile machines
- Butterfly valves
- Consumer electronics

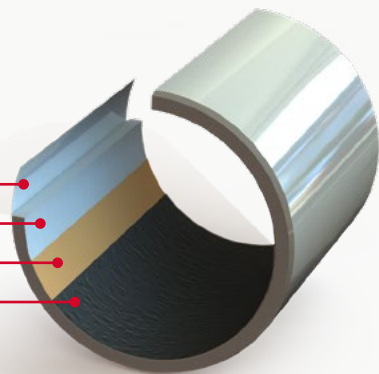




[GO TO SIZE CHARTS →](#)

### SECTIONAL VIEW OF PTFE BEARINGS

- Coating
- Steel / Bronze / Stainless steel backing
- Sintered bronze layer
- PTFE



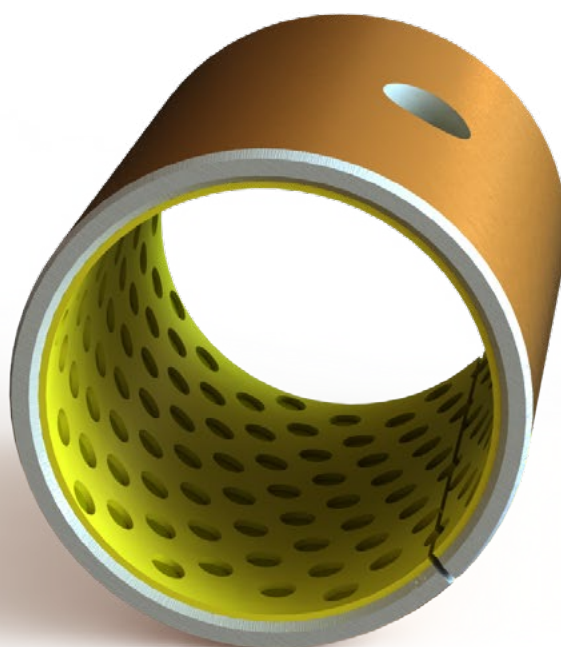


# POM bearings

## MINIMAL MAINTENANCE UNDER SERVE OPERATING CONDITIONS

POM bearings have been specially developed for marginally lubricated applications and so can function for long periods with minimal lubrication.

POM bearings are produced according to ISO 3547.



### PROPERTIES

	TX
Max. load (Dyn/stat), N/mm <sup>2</sup>	140 / 250
Max. sliding speed m/s	2,5
Max PV value N/mm <sup>2</sup> x m/s	2,8
Temperature range, °C	-40 / +130
Shaft tolerance	f7 - h8
Housing tolerance	H7
Shaft roughness	Ra ≤ 0,4
Shaft hardness	> 200 HB

## MATERIALS

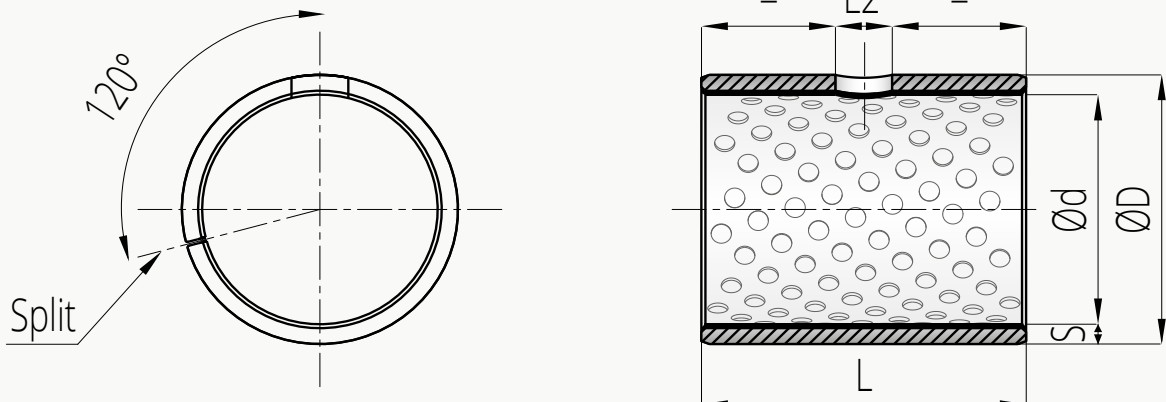
POM bearings are made from a steel backing to which a sintered bronze layer is applied. A POM top layer is then applied to this bronze layer. The bronze intermediate layer ensures efficient heat dissipation and makes for a strong joint between the steel backing and the sliding surface.

The steel backing is provided with a layer of copper or tin to prevent corrosion, while the POM top layer incorporates grease pits to retain the lubricant.

## ADVANTAGES

- Minimal maintenance
- High sliding velocity
- High load
- Low coefficient
- Minimal bearing play

## DRAWING

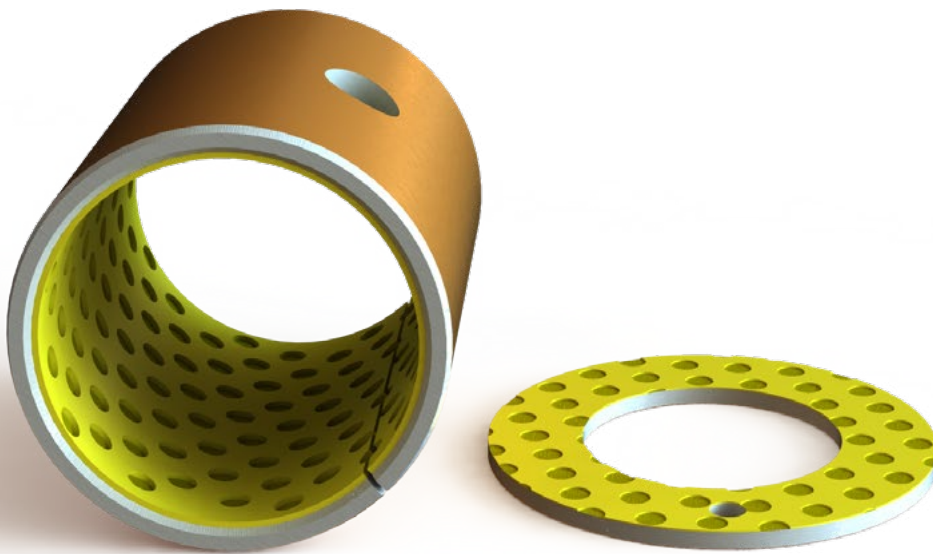


# POM bearings

## LUBRICATION

We recommend that POM bearings are lubricated with grease. The grease must contain an antioxidant for environments with temperatures over 50°C. Greases containing EP additives or significant amounts of graphite or MoS2 are not generally recommended.

Lubricating with oil is only advisable with applications in which the oil temperature does not exceed 70°C.



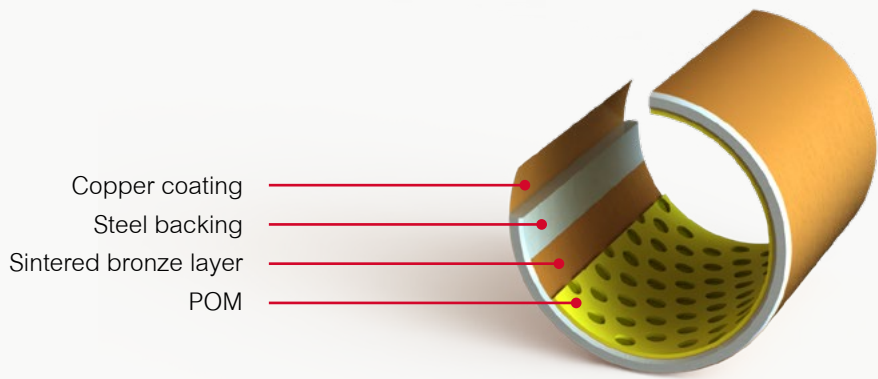
## APPLICATIONS

- Hydraulic applications
- Elevators
- Transportation
- Mechanical engineering
- Construction machinery



[GO TO SIZE CHARTS →](#)

### SECTIONAL VIEW OF PTFE BEARINGS

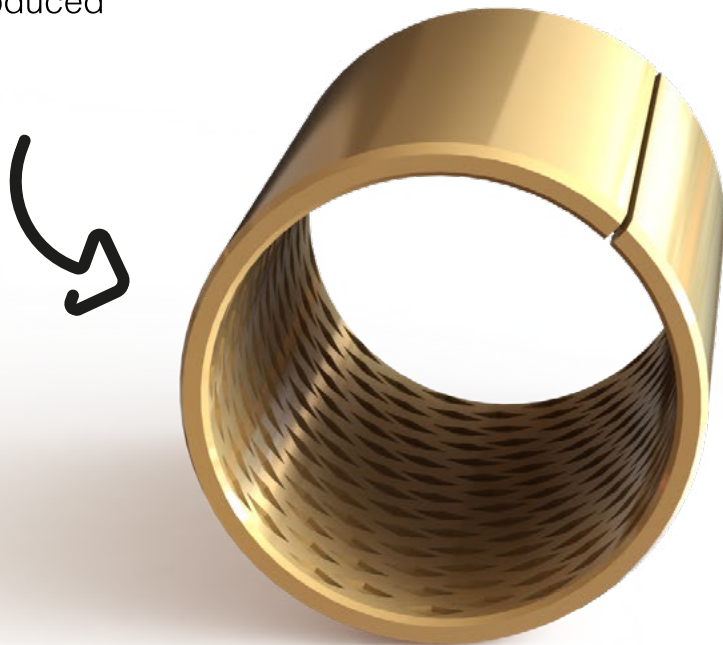


# Wrapped bronze bearings

## LONG SERVICE INTERVALS UNDER SEVERE OPERATING CONDITIONS

Wrapped bronze bearings are ideal for applications where there are high levels of pollution. Their sliding surface is indented with diamond-shaped pockets or holes for lubrication. The pockets must be filled with grease when the bearing is installed.

These bearings are produced according to ISO 3547.



### PROPERTIES

	T90	T92
Max load (Dyn/stat), N/mm <sup>2</sup>	40 / 120	40 / 120
Max. sliding speed m/s	2,0	2,5
Max. PV value N/mm <sup>2</sup> x m/s	2,8	2,8
Temperature range, °C	-100 / +200	-100 / +200
Shaft tolerance	e7 - f8 - h6	e7 - f8 - h6
Housing tolerance	H7	H7
Shaft roughness	Ra ≤ 0,8	Ra ≤ 0,8
Shaft hardness	> 200 HB	> 200 HB



## MATERIALS

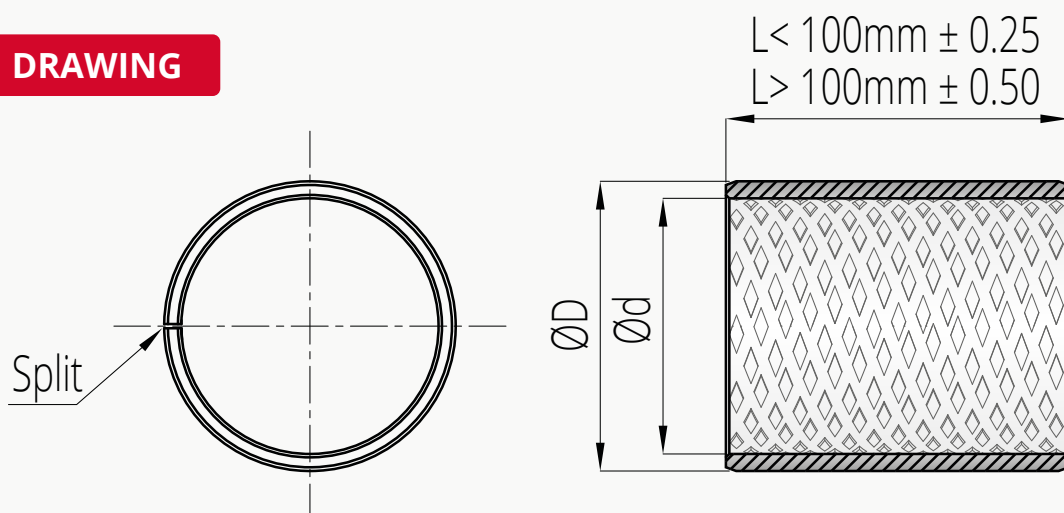
Wrapped bronze bearings are made entirely from phosphor bronze CuSn8. CuSn8 is characterized by the purity of the alloy with only a very low level of impurities.

These plain bearings are produced from strips which are subsequently wrapped and calibrated.

## ADVANTAGES

- Long service intervals
- Not affected by impurities
- Suitable for corrosive environments
- Suitable for impact loads and vibrations at low speeds
- Good heat dissipation

## DRAWING

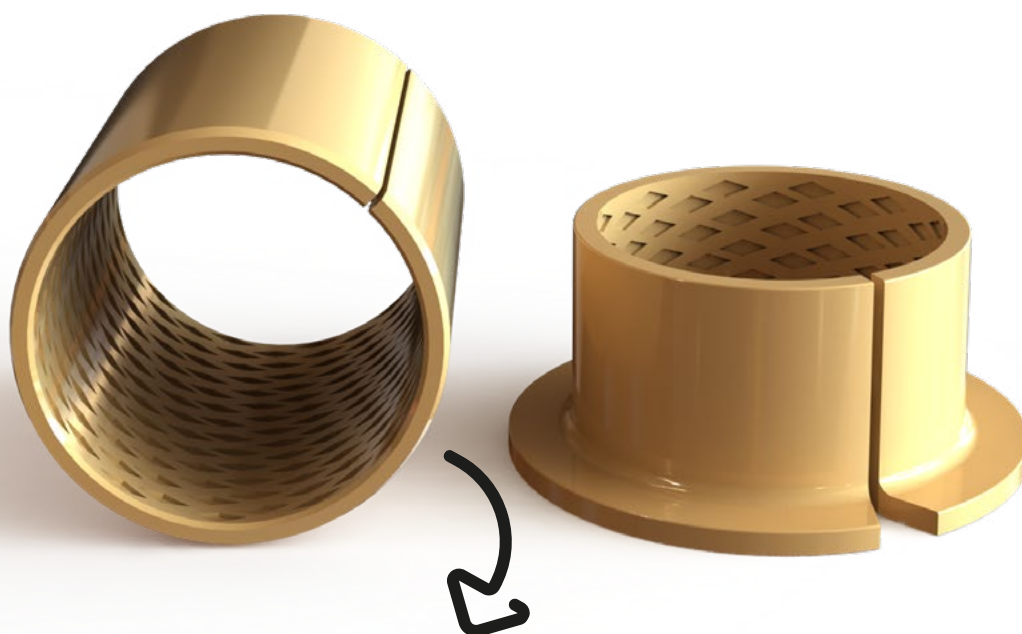


# Wrapped bronze bearings

## LUBRICATION

Wrapped bronze bearings must be lubricated with grease or oil on installation. A good quality lubricant is essential as it will reduce friction and wear by forming a film between the plain bearing and the shaft.

For heavily contaminated applications we recommend sealing off the bearing. This will protect both the bearing and the lubricant.



## APPLICATIONS

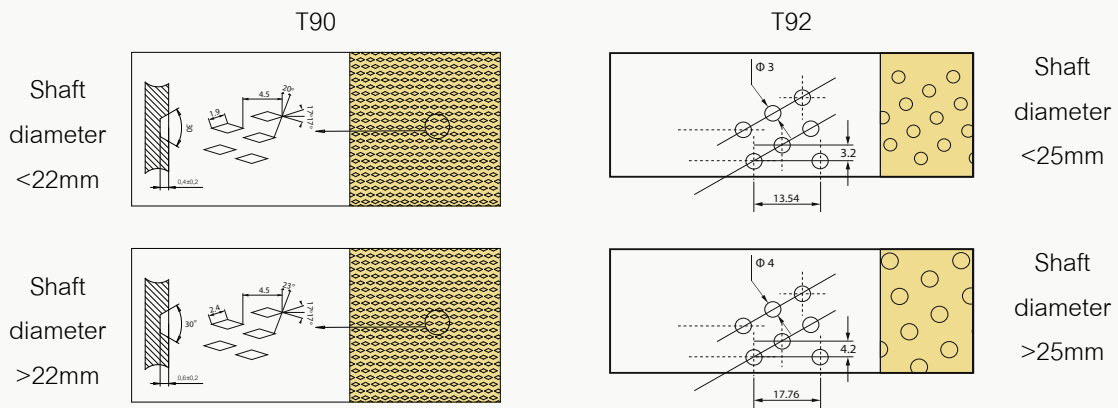
- Agricultural vehicles
- Offshore
- Lifting gear
- Excavators





**GO TO SIZE CHARTS →**

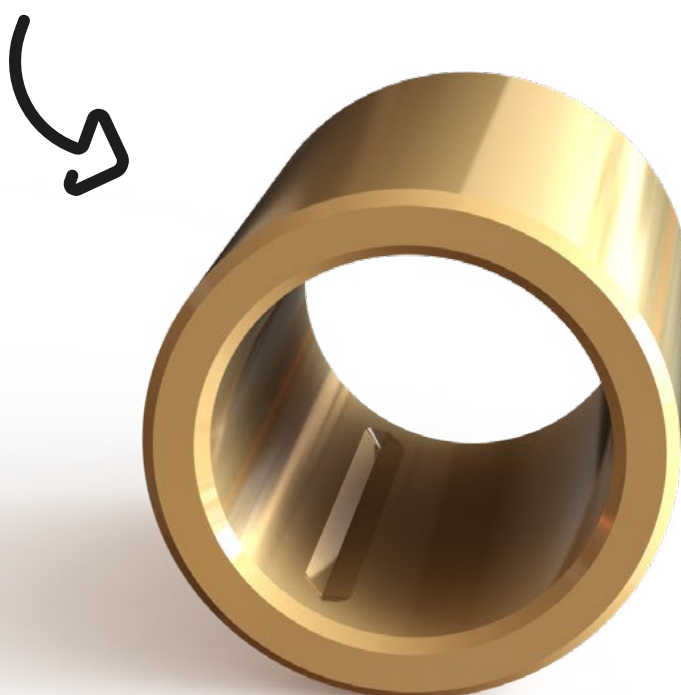
**DETAIL OVERVIEW OF LUBRICATION POCKETS**



# Solid bronze bearings

**GOOD IN SEVERE AND CONTAMINATED CONDITIONS**

Solid bronze bearings are highly suited to demanding applications in challenging environments. This makes them ideal for a wide variety of applications.



## PROPERTIES

	TB
Max load (Dyn/stat), N/mm <sup>2</sup>	25 / 45
Max. sliding speed m/s	0,5
Max. PV value N/mm <sup>2</sup> x m/s	2,8
Temperature range, °C	+250 (depending on the type of lubricant)
Shaft tolerance	e7 - e8
Housing tolerance	H7
Shaft roughness	Ra ≤ 1,0
Shaft hardness	> 165 HB

## MATERIALS

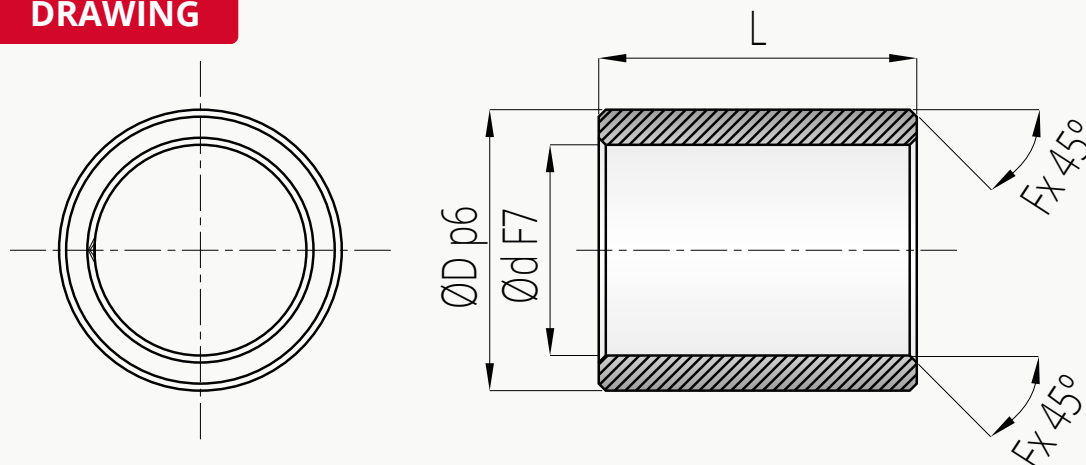
Solid bronze bearings are made from CuSn7Zn4Pb7 continuously cast bronze. This material is 85% copper and has very good sliding characteristics. All the surfaces of this plain bearing are machined.

Many other alloys are also available beside the standard material. Most common among these are CuAl10Ni, CuSn10 and CuSn12.

## ADVANTAGES

- Not affected by impurities
- Suitable for corrosive environments
- Suitable for impact loads and vibrations at low speeds
- Has a groove to retain the lubricant

## DRAWING

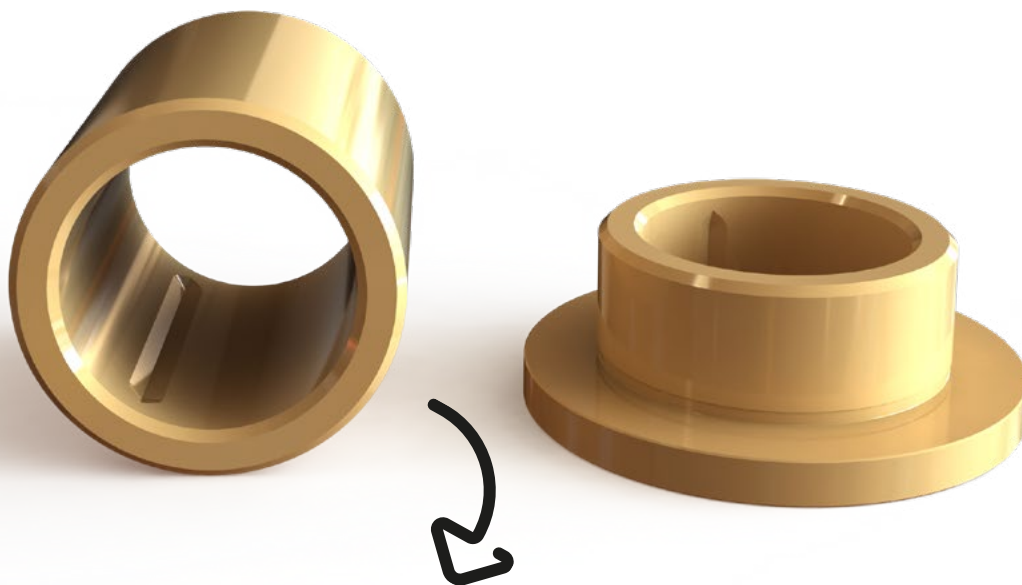


# Solid bronze bearings

## LUBRICATION

Solid bronze bearings are normally lubricated with grease but oil is also used for exceptional applications. A good quality lubricant will ensure that friction and wear will be reduced by the forming of a film between the bearing and the shaft. For heavily contaminated applications we recommend sealing off the bearing. This will protect both the bearing and the lubricant.

All solid bearings with an inside diameter of 14 mm or more are provided with an axial lubrication groove.



## APPLICATIONS

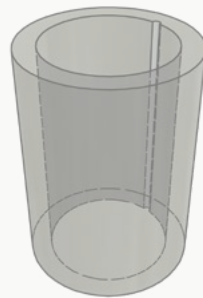
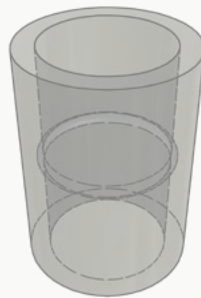
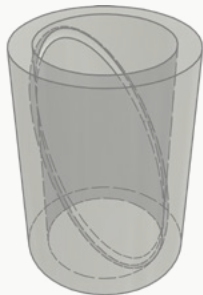
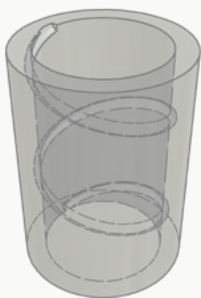
- Offshore
- Dredging industry
- Mechanical engineering
- Elevators





[GO TO SIZE CHARTS →](#)

### LUBRICATION GROOVE OPTIONS

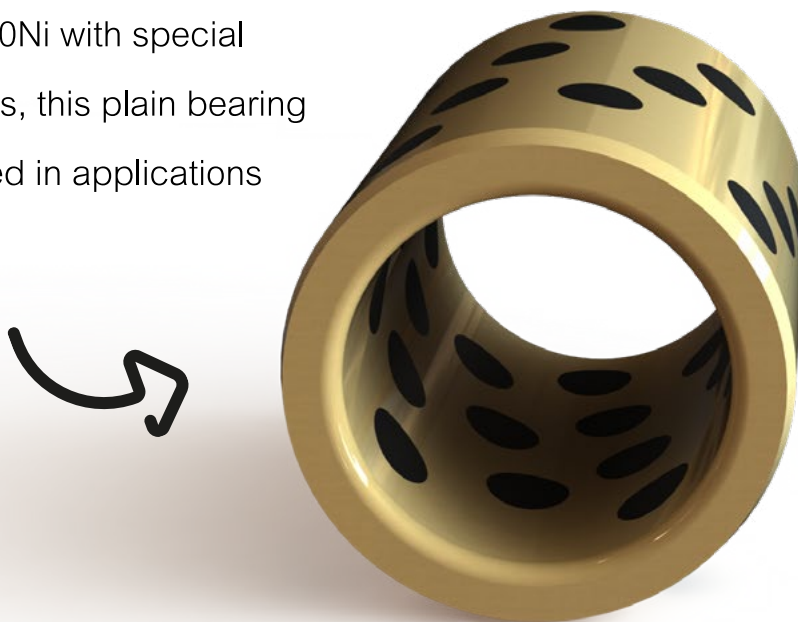


# Maintenance-free bearings with lubricating plugs

## SELF-LUBRICATING MAINTENANCE-FREE BEARINGS FOR HEAVY DUTIES

Maintenance-free bearings with lubricating plugs are suitable for heavy loads, high temperatures, vibrations and for use in corrosive environments.

By using CuAl10Ni with special lubricating plugs, this plain bearing can also be used in applications with salt water.



### PROPERTIES

	TO
Max load (Dyn/stat), N/mm <sup>2</sup>	100 / 250
Max. sliding speed m/s	0,25
Max. PV value N/mm <sup>2</sup> x m/s	3,34
Temperature range, °C	+300 (depending on material)
Shaft tolerance	e7 - f7 - h6
Housing tolerance	H7
Shaft roughness	Ra ≤ 1,0
Shaft hardness	> 200 HB

## MATERIALS

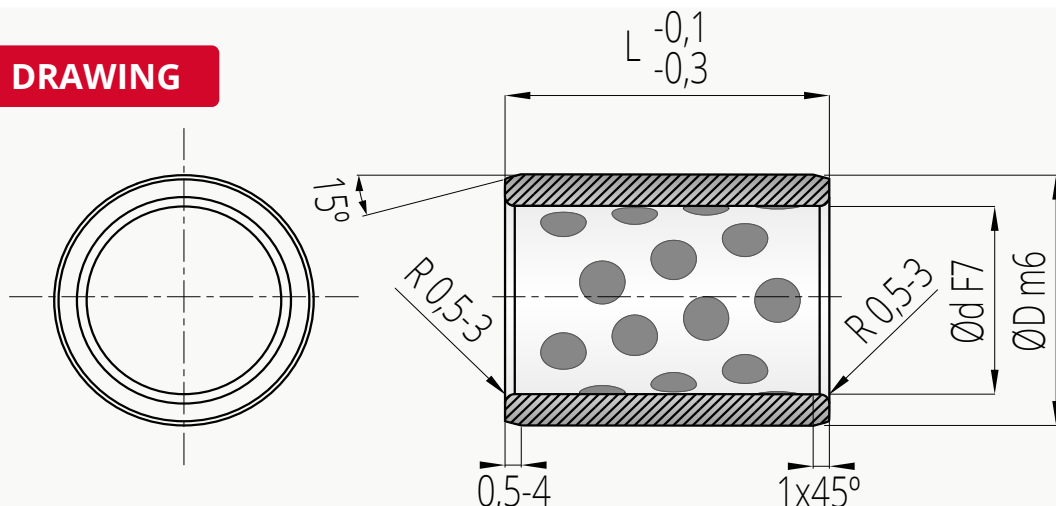
The maintenance-free bearings with lubricating plugs are made from CuZn25Al5 and have a pattern of lubricating plugs. CuZn25Al5 is brass that has copper and zinc as its basis and is a construction material characterized by a high static load capability.

As well as CuZn25Al5 there are many other alloys suitable for both the bearing and the lubricating plugs.

## ADVANTAGES

- Suitable for corrosive environments
- High load
- Maintenance-free
- Suitable for impact loads and vibrations
- Suitable for high temperatures

## DRAWING





# Maintenance-free bearings with lubricating plugs

## LUBRICATION

Maintenance-free bearings with lubricating plugs are provided with fixed lubricating plugs as standard.

Additional lubrication is recommended for very low or very high speeds.



## APPLICATIONS

- Flood/lock gates
- Offshore
- Iron and steel industry
- Furnace construction
- Mold construction



**DETAIL OF LUBRICATING PLUGS**



# Other plain bearings

## OTHER PLAIN BEARINGS FOR VARIETY OF CONDITIONS AND APPLICATIONS

These plain bearings are less common, but are just as crucial for specific applications and are required to operate under changing conditions.

Whenever the standard range does not go far enough for applications in the food industry or which require precision bearings or which operate under very severe conditions, THN can always supply the right plain bearings.



## EXAMPLES

- Spherical and self-adjusting plain bearings
- Bearings blocks with or without bearings
- Plastic plain bearings
- Steel bearings
- Fiberglide bearings
- Wrapped plain bearings, internal clamping
- Woven plastic bearings
- High-grade bronze/aluminum alloys

# Custom plain bearings

## BESPOKE PLAIN BEARINGS

There is a growing demand for plain bearings with non-standard specifications. THN always joins its customer in the search for a solution. That's why we can supply plain bearings in a wide variety of materials, sizes, tolerances and designs.





THN is supplying a growing number of clients with customized plain bearings made from materials such as sintered bronze BP 25, SINT A50, SINT A51, SINT B50, SINT B51, impregnated with MoS<sub>2</sub>, or just plain bearings with different alloys.



## EXAMPLES

- Spherical plain bearings, self-adjusting if required
- Plain bearings with special grooves
- Plain bearings with recesses
- Plain bearings with non-standard tolerances

# Specification overview

	SINTERED BRONZE			PTFE
	PLAIN BEARINGS			DRY BEARINGS
	BRONZE	IRON	MoS <sup>2</sup>	STEEL
Temperature range, °C	-10 / +90	-10 / +90	-50 / +400	-200 / +280
Coefficient of friction	0,05 - 0,10	0,05 - 0,10	0,15 - 0,25	0,03 - 0,25
Dynamic loading N/mm <sup>2</sup>	10	9.5	2.5	140
Static loading N/mm <sup>2</sup>	50	50	50	250
Max. speed m/s	5	5	0,25	2,5
Shaft tolerance	Table pag. 8	Table pag. 8	Table pag. 8	f7 - h8
Housing tolerance	H7	H7	H7	H7
Shaft roughness Ra	< 0,8	< 0,8	< 0,8	Ra ≤ 0,4
Shaft hardness HB	≥ 220	≥ 220	≥ 220	> 200
Shaft hardness long service HB				
PV N/mm <sup>2</sup> x m/s	1,6	1,6	0,4	k <sup>1</sup> 3,5 / c <sup>2</sup> 1,8
Compressive strength N/mm <sup>2</sup>	100	150		350
Models				

<sup>1</sup> Short    <sup>2</sup> Continuous    <sup>3</sup> Standard, but depending on material and lubricating plugs

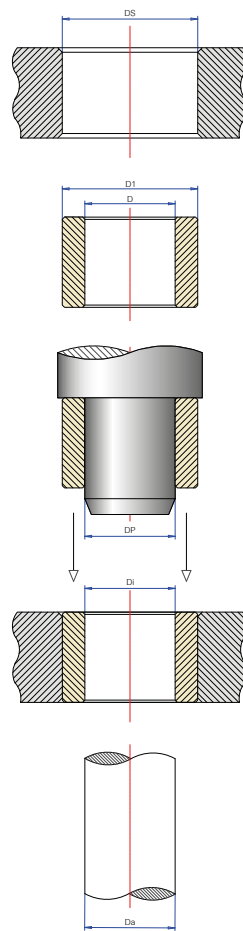
PTFE		POM		WRAPPED	TURNED	MAINTENANCE-FREE
DRY BEARINGS		PLAIN BEARINGS		BRONZE	BRONZE	BEARINGS WITH
BRONZE	STAINLESS STEEL			BEARINGS	BEARINGS	LUBRICATING PLUGS
-200 / +280	-200 / +280	-40 / +130		-100 / +200	-40 / +250	+300 <sup>*3</sup>
0,03 - 0,25	0,03 - 0,25	0,05 - 0,20		0,08 - 0,25	0,08 - 0,15	0,03 - 0,16
140	140	140		40	25	100
140	250	250		120	45	250
2,5	2,5	2,5		2,5	0,5	0,25
f7 - h8	f7 - h8	f7 - h8		e7 - f8 - h6	e7 - f8	e7 - f7 - h6
H7	H7	H7		H7	H7	H7
Ra ≤ 0,4	Ra ≤ 0,4	≤ 0,4		≤ 0,8	≤ 1,0	≤ 1,0
> 200	> 200	> 200		> 200	> 165	> 200
		> 350		> 350	> 350	> 350
k <sup>1</sup> 3,5 / c <sup>2</sup> 1,8	k <sup>1</sup> 3,5 / c <sup>2</sup> 1,8	2,8		2,8	2,8	3,34
300	350	380		250	250	480



# Installation-instructions

## SINTERED AND SOLID BRONZE BEARINGS

The bearings are pressed into place with a press arbor. When the bearing is pressed in, the bore becomes smaller.



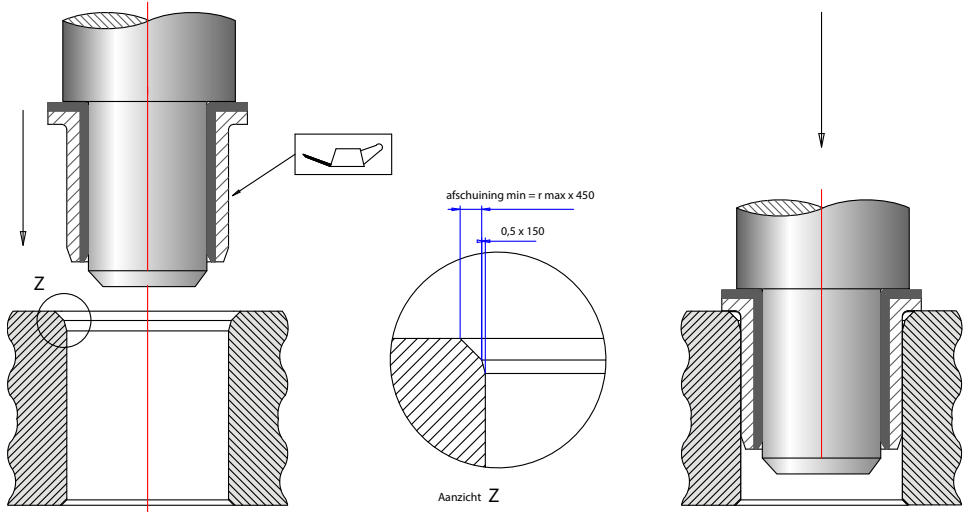
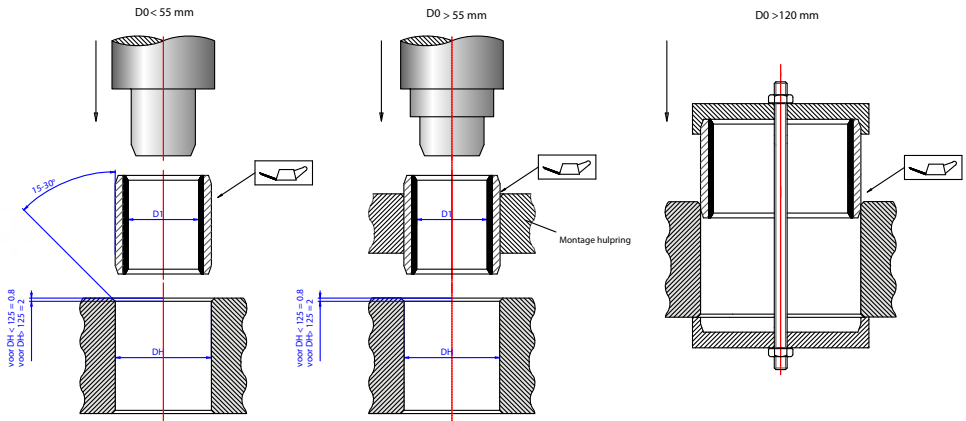
## PRESS ARBOR DATA AND BACKING DATA

Bearing	Housing phase	Press arbor diameter tolerance	Press arbor phase
Sintered bronze E7 en E8	1mm x 45°	s6	3mm x 15°
Sintered bronze G7 en G8	1mm x 45°	n5	3mm x 15°
Sintered bronze F7 en F8	1mm x 45°	m6	3mm x 15°
Solid bronze bearings	2mm x 30°	c9	3mm x 15°
Maintenance-free bearings	1mm x 45°	c9	3mm x 15°

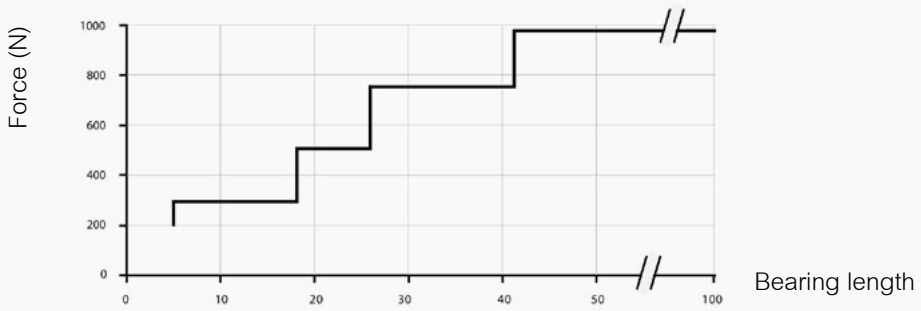


## WRAPPED PLAIN BEARINGS

The bearings are pressed into place with a press arbor. When the bearing is pressed in, the bore becomes smaller.

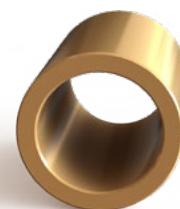


## MAXIMUM PRESSING FORCE

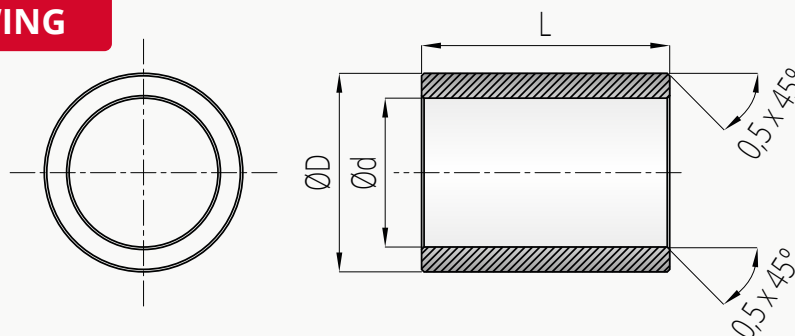


# Sintered bronze

## Size chart



### DRAWING



**44** Sintered bronze bearings

**48** Sintered bronze flanged bearings

**52** Sintered bronze inch bearings

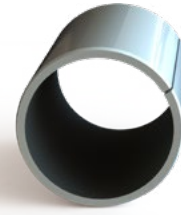
**54** Sintered bronze inch flanged bearings

**56** Sintered bronze cored bars for machining

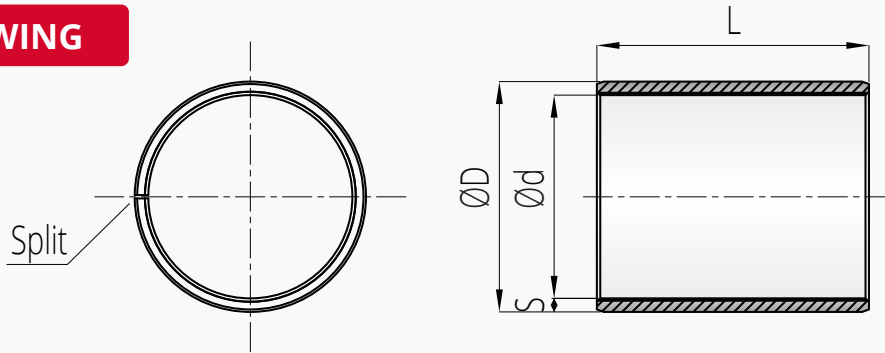
**57** Sintered bronze bars for machining

# PTFE bearings

## Size chart



### DRAWING



**58** PTFE steel bearings

**60** PTFE bronze bearings

**61** PTFE Stainless Steel bearings

**62** PTFE steel flanged bearings

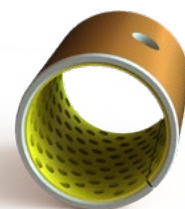
**63** PTFE steel thrust washers

**64** PTFE steel flanged thrust washers

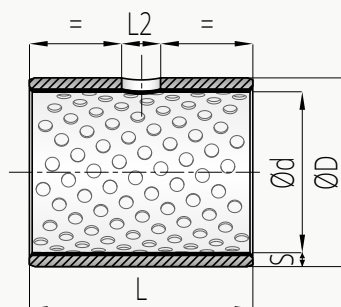
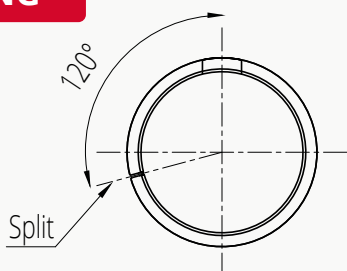
**65** PTFE steel strips

# POM bearings

## Size chart



### DRAWING



**66** POM bearings

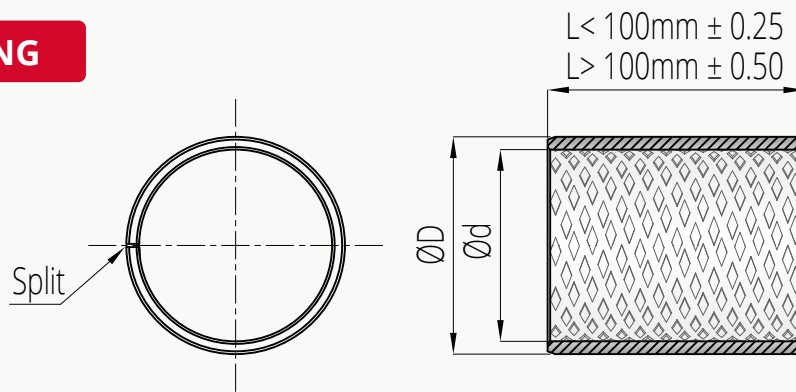
**68** POM strips

**69** POM sliding plates

# Wrapped bronze bearings size chart



## DRAWING

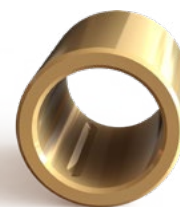


**70** Wrapped bronze bearings

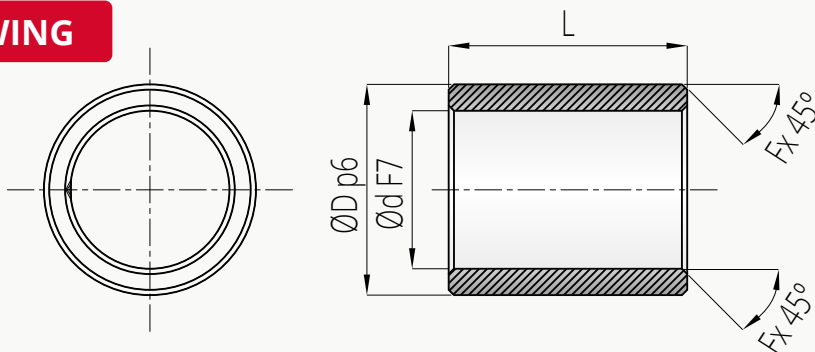
**72** Wrapped bronze flanged bearings



# Solid bronze bearings size chart



## DRAWING



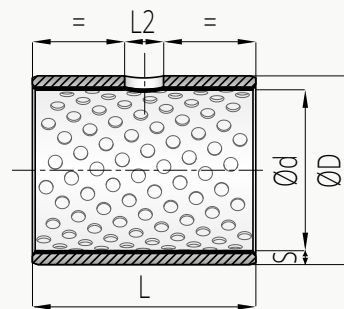
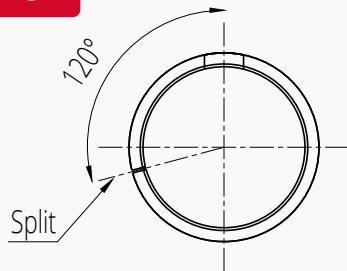
**74** Solid bronze bearings

**75** Solid bronze flanged bearings

# Maintenance-Free bearings with lubricating plugs



## DRAWING



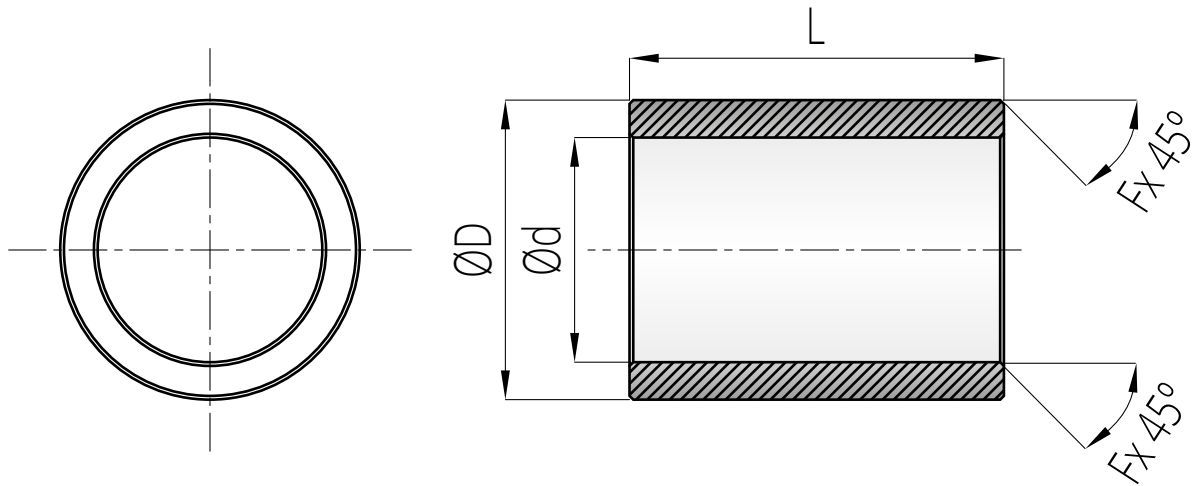
**77** **Maintenance-free** bearings with lubricating plugs

**78** **Maintenance-free** flanged bearings with lubricating plugs

**79** **Maintenance-free** thrust washers with lubricating plugs

# Sintered bronze bearings

## Size chart



### BEARINGS

Article number	d	D	Length
SBC 002/004 X ###	2	4	4
SBC 002/005 X ###	2	5	2   3
SBC 003/006 X ###	3	6	4   5   6   7   8   10
SBC 003/008 X ###	3	8	4
SBC 004/006 X ###	4	6	4   5   6   8   10
SBC 004/007 X ###	4	7	3   4   6   8   10   12
SBC 004/008 X ###	4	8	3   4   5   6   8   10   12
SBC 004/010 X ###	4	10	8
SBC 005/008 X ###	5	8	4   5   8   10   12   15   16
SBC 005/009 X ###	5	9	4   5   8   10
SBC 005/010 X ###	5	10	5   6   8   10   12   15
SBC 005/012 X ###	5	12	10
SBC 006/009 X ###	6	9	4   5   6   8   10   12   15   16
SBC 006/010 X ###	6	10	4   5   6   10   12   14   15   16

Article number	d	D	Length
SBC 006/012 X ###	6	12	5   6   8   10   12   15   16
SBC 006/014 X ###	6	14	12
SBC 007/010 X ###	7	10	5   8   10
SBC 007/011 X ###	7	11	8   10
SBC 007/012 X ###	7	12	10   15
SBC 008/010 X ###	8	10	6   8   10   12   15
SBC 008/011 X ###	8	11	6   8   10   12   16   20
SBC 008/012 X ###	8	12	6   8   10   12   15   16   20
SBC 008/014 X ###	8	14	8   10   12   15   16   20
SBC 008/015 X ###	8	15	10   13   15
SBC 008/016 X ###	8	16	8   12   18
SBC 008/018 X ###	8	18	16
SBC 009/012 X ###	9	12	6   10   14
SBC 009/013 X ###	9	13	10   12   14

d = inside diameter | D = outside diameter | Length = total length

# Sintered bronze bearings

## Size chart

### BEARINGS

Article number	d	D	Length
SBC 009/014 X ###	9	14	10   12   15   20
SBC 010/013 X ###	10	13	10   12   15   16   19   20   25
SBC 010/014 X ###	10	14	8   10   12   13   14   15   16   18   20   25
SBC 010/015 X ###	10	15	10   12   15   16   20   25
SBC 010/016 X ###	10	16	8   10   12   15   16   20   24   25
SBC 010/018 X ###	10	18	10   12   15   16   20   25
SBC 010/020 X ###	10	20	15   24
SBC 010/022 X ###	10	22	20
SBC 011/015 X ###	11	15	10   15   20   25
SBC 011/017 X ###	11	17	15   20
SBC 012/014 X ###	12	14	10   12   15   16   18   20
SBC 012/015 X ###	12	15	10   12   14   15   16   18   20   25
SBC 012/016 X ###	12	16	6   8   10   12   15   16   18   20   25
SBC 012/017 X ###	12	17	10   12   15   16   20   25
SBC 012/018 X ###	12	18	8   9   10   12   15   16   20   25   30
SBC 012/020 X ###	12	20	12   15   20   25   30
SBC 012/025 X ###	12	25	25
SBC 014/018 X ###	14	18	10   14   15   18   20   22   24   25   28
SBC 014/020 X ###	14	20	10   12   14   15   18   20   22   25   28   30
SBC 014/022 X ###	14	22	15   20   25   30
SBC 014/028 X ###	14	28	30
SBC 015/018 X ###	15	18	10   15   20   25   30
SBC 015/019 X ###	15	19	8   10   15   16   20   25   32
SBC 015/020 X ###	15	20	10   12   15   16   20   25   30

Article number	d	D	Length
SBC 015/021 X ###	15	21	10   15   16   20   25   32
SBC 015/022 X ###	15	22	15   16   20   25   30
SBC 015/030 X ###	15	30	30
SBC 016/020 X ###	16	20	12   14   15   16   18   20   24   25   30   32
SBC 016/022 X ###	16	22	12   15   16   20   25   30   32   35   40
SBC 016/024 X ###	16	24	30
SBC 016/032 X ###	16	32	30
SBC 017/022 X ###	17	22	15   20   25   30   35
SBC 018/022 X ###	18	22	12   13   15   18   20   22   25   28   30   36
SBC 018/024 X ###	18	24	12   15   18   20   22   25   28   30   35   36
SBC 018/025 X ###	18	25	16   18   20   22   25   28   30   35   36
SBC 018/035 X ###	18	35	30
SBC 015/021 X ###	15	21	10   15   16   20   25   32
SBC 015/022 X ###	15	22	15   16   20   25   30
SBC 015/030 X ###	15	30	30
SBC 016/020 X ###	16	20	12   14   15   16   18   20   24   25   30   32
SBC 016/022 X ###	16	22	12   15   16   20   25   30   32   35   40
SBC 016/024 X ###	16	24	30
SBC 016/032 X ###	16	32	30
SBC 017/022 X ###	17	22	15   20   25   30   35
SBC 018/022 X ###	18	22	12   13   15   18   20   22   25   28   30   36
SBC 018/024 X ###	18	24	12   15   18   20   22   25   28   30   35   36
SBC 018/025 X ###	18	25	16   18   20   22   25   28   30   35   36
SBC 018/035 X ###	18	35	30

d = inside diameter | D = outside diameter | Length = total length

# Sintered bronze bearings

## Size chart

### BEARINGS

Article number	d	D	Length
SBC 019/025 X ###	19	25	30   40
SBC 020/024 X ###	20	24	10   12   16   20   25   30   32
SBC 020/025 X ###	20	25	15   16   20   25   30   32   35
SBC 020/026 X ###	20	26	10   15   16   20   25   30   32   35   40
SBC 020/027 X ###	20	27	16   20   25   32
SBC 020/028 X ###	20	28	16   20   25   30   32   35   40
SBC 020/030 X ###	20	30	20   25   30   35   40
SBC 020/040 X ###	20	40	40
SBC 022/026 X ###	22	26	20   22   25   30
SBC 022/027 X ###	22	27	15   18   20   22   25   28   30   35   36   40
SBC 022/028 X ###	22	28	18   20   22   25   28   30   35   36   40
SBC 022/029 X ###	22	29	18   22   28   36
SBC 022/030 X ###	22	30	20   25   30
SBC 022/032 X ###	22	32	20   22   25   30   35
SBC 024/028 X ###	24	28	25   30
SBC 025/030 X ###	25	30	20   25   30   32   35   40
SBC 025/032 X ###	25	32	20   25   30   32   35   40   45
SBC 025/035 X ###	25	35	25   30   35   40   45   50
SBC 025/045 X ###	25	45	35
SBC 026/030 X ###	26	30	25   30
SBC 028/032 X ###	28	32	20   22   25   28   32   36   40   45
SBC 028/033 X ###	28	33	20   22   25   28   32   36   40   45
SBC 028/035 X ###	28	35	20   25   30   35   40   45   50
SBC 028/036 X ###	28	36	22   25   28   35   36   45

Article number	d	D	Length
SBC 030/035 X ###	30	35	20   25   30   35   40   45   50
SBC 030/038 X ###	30	38	20   24   25   30   35   38   40   45   50
SBC 030/040 X ###	30	40	20   25   30   35   40   45   50   60
SBC 030/050 X ###	30	50	60
SBC 032/038 X ###	32	38	20   25   32   40   50
SBC 032/040 X ###	32	40	20   25   30   32   35   40   45   50
SBC 035/040 X ###	35	40	20   25   30   35   40   45   50
SBC 035/041 X ###	35	41	25   35   40
SBC 035/044 X ###	35	44	22   28   35
SBC 035/045 X ###	35	45	25   30   35   40   45   50   60   70
SBC 036/042 X ###	36	42	22   28   36   45
SBC 036/045 X ###	36	45	22   28   36   45
SBC 038/044 X ###	38	44	25   35   45
SBC 038/046 X ###	38	46	30
SBC 040/045 X ###	40	45	30   35   40   45   50
SBC 040/046 X ###	40	46	25   30   32   35   37   40   45   50
SBC 040/050 X ###	40	50	25   30   32   40   45   50   60   80
SBC 045/051 X ###	45	51	28   35   36   45   55   56
SBC 045/055 X ###	45	55	30   35   40   45   50   55   60   65
SBC 045/056 X ###	45	56	28   36   45   56
SBC 045/060 X ###	45	60	40   45   50   60
SBC 045/065 X ###	45	65	80
SBC 050/056 X ###	50	56	32   40   50   63
SBC 050/060 X ###	50	60	32   35   40   45   50   60   63   70   100

d = inside diameter | D = outside diameter | Length = total length



# Sintered bronze bearings

## Size chart

### BEARINGS

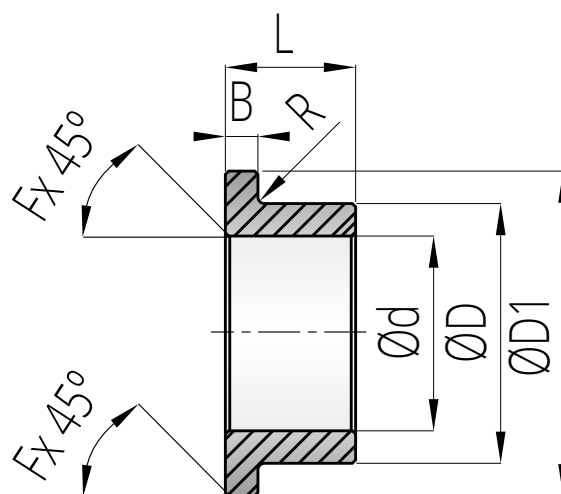
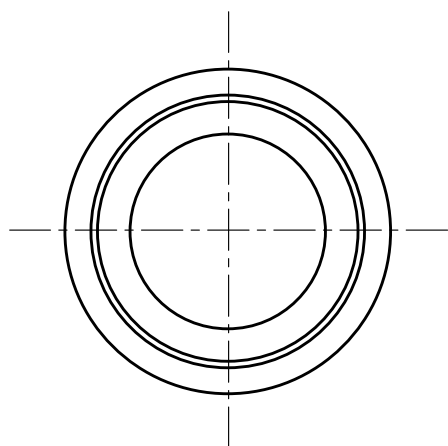
Article number	d	D	Length
SBC 050/070 X ###	50	70	70
SBC 055/065 X ###	55	65	40   55   60   70
SBC 055/070 X ###	55	70	70
SBC 060/068 X ###	60	68	50   60   70
SBC 060/070 X ###	60	70	50   60   90   120
SBC 060/072 X ###	60	72	50   60   70
SBC 060/075 X ###	60	75	60   90
SBC 060/080 X ###	60	80	70   90   120
SBC 060/085 X ###	60	85	90
SBC 063/070 X ###	63	70	40   50
SBC 065/075 X ###	65	75	60   90
SBC 065/080 X ###	65	80	60   90
SBC 070/080 X ###	70	80	50   60   90   120

Article number	d	D	Length
SBC 070/085 X ###	70	85	60   90
SBC 075/085 X ###	75	85	70   100
SBC 075/090 X ###	75	90	70   100
SBC 075/100 X ###	75	100	100
SBC 080/090 X ###	80	90	70   100
SBC 080/095 X ###	80	95	70   100
SBC 080/100 X ###	80	100	80   120
SBC 080/105 X ###	80	105	100
SBC 085/100 X ###	85	100	100
SBC 090/105 X ###	90	105	80
SBC 090/110 X ###	90	110	80
SBC 100/120 X ###	100	120	80   120

d = inside diameter | D = outside diameter | Length = total length

# Sintered bronze bearings

## Size chart



### FLANGED BEARINGS

Article number	d	D	D1	B	Length
SBK 003/005 X ### - 008 X 01,5	3	5	8	1,5	4
SBK 003/006 X ### - 009 X 01,5	3	6	9	1,5	4   5   6   10
SBK 004/008 X ### - 010 X 01,5	4	8	10	1,5	6
SBK 004/008 X ### - 012 X 02	4	8	12	2,0	4   5   6   8   10   12
SBK 005/009 X ### - 013 X 02	5	9	13	2,0	4   5   8
SBK 005/010 X ### - 012 X 02	5	10	12	2,0	6
SBK 006/010 X ### - 014 X 02	6	10	14	2,0	4   6   10   15   16
SBK 006/012 X ### - 014 X 02	6	12	14	2,0	6
SBK 008/012 X ### - 016 X 02	8	12	16	2,0	6   8   10   12   15   16
SBK 008/013 X ### - 016 X 02	8	13	16	2,0	15
SBK 008/014 X ### - 018 X 02	8	14	18	2,0	15
SBK 008/014 X ### - 018 X 03	8	14	18	3,0	8
SBK 008/015 X ### - 018 X 02	8	15	18	2,0	10   15
SBK 008/018 X ### - 018 X 03	8	18	18	3,0	8

d = inside diameter | D = outside diameter | D1 = flange diameter | B = flange thickness | Length = total length

# Sintered bronze bearings

## Size chart

### FLANGED BEARINGS

Article number	d	D	D1	B	Length
SBK 009/014 X ### - 019 X 02,5	9	14	19	2,5	6   10   14
SBK 010/013 X ### - 016 X 01,5	10	13	16	1,5	8   10   16   20
SBK 010/013 X ### - 017 X 02,5	10	13	17	2,5	10   16
SBK 010/014 X ### - 018 X 02	10	14	18	2,0	10   15   20
SBK 010/015 X ### - 020 X 02,5	10	15	20	2,5	10   16   20
SBK 010/015 X ### - 020 X 03	10	15	20	3,0	10   15   16   20
SBK 010/016 X ### - 020 X 03	10	16	20	3,0	8   10
SBK 010/016 X ### - 022 X 03	10	16	22	3,0	8   10   16   20
SBK 012/015 X ### - 018 X 01,5	12	15	18	1,5	7,5   12   16   20
SBK 012/015 X ### - 018 X 02	12	15	18	2,0	8   12   15   16   20
SBK 012/016 X ### - 018 X 02	12	16	18	2,0	15   20
SBK 012/017 X ### - 022 X 02,5	12	17	22	2,5	12   16   20   25
SBK 012/017 X ### - 022 X 03	12	17	22	3,0	10   12   15   16   20   25
SBK 012/018 X ### - 022 X 03	12	18	22	3,0	10   12
SBK 012/018 X ### - 024 X 03	12	18	24	3,0	8   12   20
SBK 014/018 X ### - 022 X 02	14	18	22	2,0	14   18   22
SBK 014/018 X ### - 022 X 03	14	18	22	3,0	20
SBK 014/020 X ### - 025 X 03	14	20	25	3,0	10   12   14   15   18   20   22   25   28   30
SBK 014/020 X ### - 026 X 03	14	20	26	3,0	10   14   18   20   22   28
SBK 015/019 X ### - 023 X 02	15	19	23	2,0	16   20   25
SBK 015/020 X ### - 025 X 03	15	20	25	3,0	15   20   25   30
SBK 015/020 X ### - 027 X 03	15	20	27	3,0	15   25
SBK 015/021 X ### - 027 X 03	15	21	27	3,0	10   15   16   20   25   32
SBK 015/022 X ### - 028 X 03	15	22	28	3,0	12   15   16

d = inside diameter | D = outside diameter | D1 = flange diameter | B = flange thickness | Length = total length

# Sintered bronze bearings

## Size chart

### FLANGED BEARINGS

Article number	d	D	D1	B	Length
SBK 016/020 X ### - 024 X 02	16	20	24	2,0	16   20   25
SBK 016/022 X ### - 028 X 03	16	22	28	3,0	12   15   16   20   25   30   32
SBK 016/022 X ### - 028 X 04	16	22	28	4,0	12   16
SBK 018/022 X ### - 026 X 02	18	22	26	2,0	18   20   22   28
SBK 018/024 X ### - 030 X 03	18	24	30	3,0	12   18   22   28   30
SBK 018/025 X ### - 032 X 04	18	25	32	4,0	12   16   20   25   30   35
SBK 020/024 X ### - 028 X 02	20	24	28	2,0	10   16   20   25
SBK 020/026 X ### - 032 X 03	20	26	32	3,0	15   16   20   25   30   32
SBK 020/028 X ### - 035 X 04	20	28	35	4,0	16   20   25   30   35
SBK 022/027 X ### - 032 X 02,5	22	27	32	2,5	18   22   28
SBK 022/028 X ### - 033 X 04	22	28	33	4,0	15   20   25   30   35   40
SBK 022/028 X ### - 034 X 03	22	28	34	3,0	15   20   25   30
SBK 022/029 X ### - 036 X 03,5	22	29	36	3,5	18   22   28   36
SBK 025/030 X ### - 035 X 02,5	25	30	35	2,5	20   25   30   32
SBK 025/032 X ### - 039 X 03,5	25	32	39	3,5	20   25   30   32
SBK 025/032 X ### - 040 X 04	25	32	40	4,0	20   25   30   32   35   40
SBK 025/035 X ### - 045 X 05	25	35	45	5,0	16   20   25   30
SBK 028/033 X ### - 038 X 02,5	28	33	38	2,5	22   28   36
SBK 028/036 X ### - 044 X 04	28	36	44	4,0	22   25   28   30   35   36   40
SBK 030/035 X ### - 044 X 04	30	35	44	4,0	30   35   40
SBK 030/038 X ### - 046 X 04	30	38	46	4,0	20   25   30
SBK 030/040 X ### - 048 X 04	30	40	48	4,0	25   30   35   40
SBK 030/040 X ### - 050 X 05	30	40	50	5,0	20   30
SBK 032/038 X ### - 044 X 03	32	38	44	3,0	20   25   30   32
SBK 032/040 X ### - 048 X 04	32	40	48	4,0	20   25   30   32   35   40

d = inside diameter | D = outside diameter | D1 = flange diameter | B = flange thickness | Length = total length

# Sintered bronze bearings

## Size chart

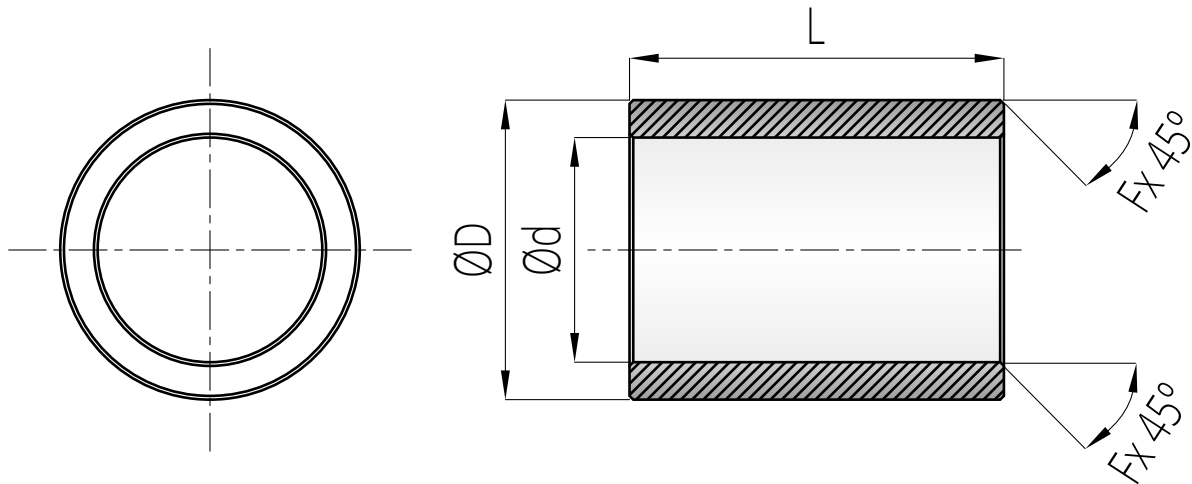
### FLANGED BEARINGS

Article number	d	D	D1	B	Length
SBK 035/045 X ### - 055 X 05	35	45	55	5,0	20   25   30   35   40
SBK 036/042 X ### - 048 X 03	36	42	48	3,0	22   28   36
SBK 036/045 X ### - 054 X 04,5	36	45	54	4,5	22   28   36
SBK 040/046 X ### - 052 X 03	40	46	52	3,0	25   30   32   35   40
SBK 040/048 X ### - 053 X 05	40	48	53	5,0	40
SBK 040/050 X ### - 060 X 05	40	50	60	5,0	25   30   32   35   40   50
SBK 040/050 X ### - 060 X 06	40	50	60	6,0	25   40
SBK 045/051 X ### - 057 X 03	45	51	57	3,0	28   36   45
SBK 045/055 X ### - 065 X 05	45	55	65	5,0	30   35   40   45   55
SBK 045/055 X ### - 065 X 06	45	55	65	6,0	30   45
SBK 045/056 X ### - 067 X 05,5	45	56	67	5,5	28   36   45
SBK 050/056 X ### - 062 X 03	50	56	62	3,0	30   32   40   50
SBK 050/060 X ### - 070 X 05	50	60	70	5,0	32   35   40   45   50
SBK 050/060 X ### - 070 X 06	50	60	70	6,0	30   50
SBK 050/060 X ### - 070 X 10	50	60	70	10,0	27,5
SBK 060/070 X ### - 080 X 05	60	70	80	5,0	30   40   45   50   60
SBK 060/070 X ### - 080 X 06	60	70	80	6,0	40
SBK 060/072 X ### - 084 X 06	60	72	84	6,0	50   60
SBK 060/075 X ### - 085 X 08	60	75	85	8,0	35   60
SBK 070/085 X ### - 095 X 06	70	85	95	6,0	40   50   60
SBK 070/085 X ### - 095 X 08	70	85	95	8,0	60
SBK 080/095 X ### - 105 X 08	80	95	105	8,0	70
SBK 090/110 X ### - 120 X 08	90	110	120	8,0	50
SBK 100/120 X ### - 130 X 08	100	120	130	8,0	80

d = inside diameter | D = outside diameter | D1 = flange diameter | B = flange thickness | Length = total length



# Sintered bronze inch bearings size chart



## INCH BEARINGS

Article number	d	D	Length
SIC 03/05 X ##	3	5	4   6   8   10   12   16
SIC 04/06 X ##	4	6	3   4   6   8   10   12
SIC 04/06 X ##	4	6	4   6   8   10   12
SIC 04/08 X ##	4	8	4   6   8   10   12
SIC 05/07 X ##	5	7	5   6   8   9   10   12   16
SIC 05/08 X ##	5	8	4   6   8   10   12
SIC 06/08 X ##	6	8	6   8   10   12   14   16   18   20
SIC 06/10 X ##	6	10	6   8   10   12   14   16
SIC 07/09 X ##	7	9	6   8   10   12
SIC 07/11 X ##	7	11	8   16
SIC 08/10 X ##	8	10	6   8   10   12   14   16   20
SIC 08/11 X ##	8	11	8   10   12   14   16   20
SIC 08/12 X ##	8	12	8   10   12   16   18   20   32
SIC 09/11 X ##	9	11	8   10   12   16   20

Article number	d	D	Length
SIC 09/12 X ##	9	12	16
SIC 10/12 X ##	10	12	8   9   10   12   14   16   20
SIC 10/13 X ##	10	13	12   16   20
SIC 10/14 X ##	10	14	8   10   12   14   16   18   20
SIC 11/15 X ##	11	15	14   16   20
SIC 12/14 X ##	12	14	8   10   12   14   16   18   20
SIC 12/15 X ##	12	15	12   16
SIC 12/16 X ##	12	16	8   10   12   14   16   18   20
SIC 12/18 X ##	12	18	12   16   20
SIC 12/20 X ##	12	20	10   12   14   16   18   20   22   24   32
SIC 14/16 X ##	14	16	12   16   18   20   24
SIC 16/18 X ##	16	18	12   16   20   24
SIC 16/20 X ##	16	20	12   14   16   20   24
SIC 16/24 X ##	16	24	12   16   20   22   24   28   32

d = inside diameter | D = outside diameter | Length = total length

# Sintered bronze inch bearings size chart

## INCH BEARINGS

Article number	d	D	Length
SIC 18/22 X ##	18	22	12   16   20   24   28   32
SIC 20/24 X ##	20	24	16   20   22   24   28   32
SIC 20/26 X ##	20	26	16   20   24   28   32   40
SIC 22/26 X ##	22	26	16   20   24   28   32
SIC 22/28 X ##	22	28	24
SIC 24/28 X ##	24	28	20   24   28   32   36
SIC 24/30 X ##	24	30	20   24   28   32   36
SIC 24/32 X ##	24	32	24   32   36   40   48
SIC 26/33 X ##	26	33	30   32   40

Article number	d	D	Length
SIC 28/32 X ##	28	32	20   24   28   32   36
SIC 28/36 X ##	28	36	24   28   32   36
SIC 32/36 X ##	32	36	24   28   32   40
SIC 32/40 X ##	32	40	24   28   32   36   40   48
SIC 36/42 X ##	36	42	24   40   48
SIC 36/44 X ##	36	44	24   32
SIC 40/46 X ##	40	46	40
SIC 40/48 X ##	40	48	24   32   36   40   48
SIC 48/56 X ##	48	56	40   48

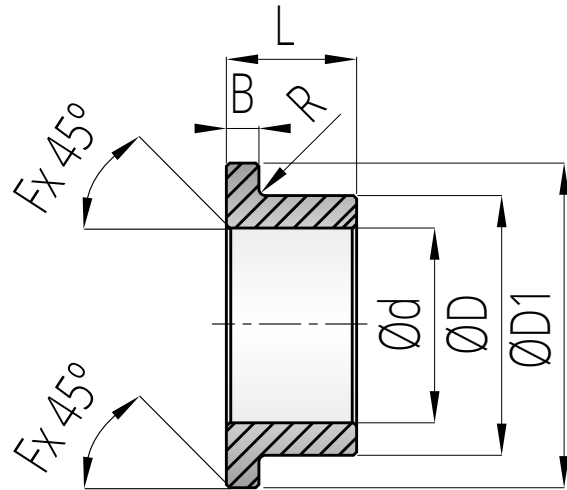
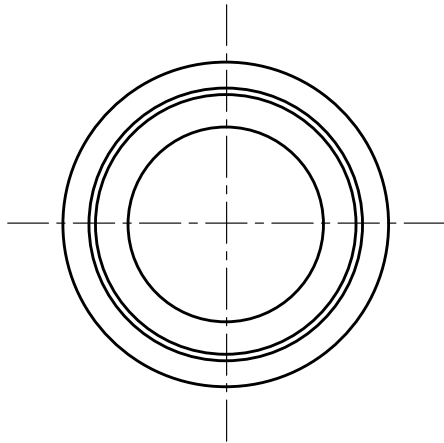
d = inside diameter | D = outside diameter | Length = total length

## INCH CONVERSION TABLE

01 = $\frac{1}{16}$	02 = $\frac{1}{8}$	03 = $\frac{3}{16}$	04 = $\frac{1}{4}$
05 = $\frac{5}{16}$	06 = $\frac{3}{8}$	07 = $\frac{7}{16}$	08 = $\frac{1}{2}$
09 = $\frac{9}{16}$	10 = $\frac{5}{8}$	11 = $\frac{11}{16}$	12 = $\frac{3}{4}$
14 = $\frac{7}{8}$	16 = 1	18 = $1\frac{1}{8}$	20 = $1\frac{1}{4}$
22 = $1\frac{3}{8}$	24 = $1\frac{1}{2}$	26 = $1\frac{5}{8}$	28 = $1\frac{3}{4}$
30 = $1\frac{7}{8}$	32 = 2	36 = $2\frac{1}{4}$	40 = $2\frac{1}{2}$
42 = $2\frac{5}{8}$	44 = $2\frac{3}{4}$	48 = 3	56 = $3\frac{1}{2}$

# Sintered bronze bearings

## size chart



### INCH FLANGED BEARINGS

Article number	d	D	D1	B	Length
SIK 03/05 X ## - 06 X 01	3	5	6	1	4   6   8
SIK 04/06 X ## - 08 X 01	4	6	8	1	4   6   8   12
SIK 05/08 X ## - 10 X 01	5	8	10	1	4   6   8   12
SIK 05/09 X ## - 10,5 X 02	5	9	10,5	2	6
SIK 06/08 X ## - 10 X 01	6	8	10	1	8   14
SIK 06/09 X ## - 12 X 01	6	9	12	1	8
SIK 06/10 X ## - 12 X 02	6	10	12	2	6   8   10   12
SIK 07/09 X ## - 12 X 01	7	9	12	1	8   12
SIK 08/10 X ## - 12 X 0.098"	8	10	12	0.098"	8   16
SIK 08/12 X ## - 16 X 02	8	12	16	2	8   12   16   18
SIK 10/12 X ## - 18 X 01,5	10	12	18	1,5	8   16   18
SIK 10/14 X ## - 20 X 02	10	14	20	2	8   12   16   18
SIK 12/16 X ## - 22 X 02	12	16	22	2	12   16   20   24
SIK 14/16 X ## - 20 X 02	14	16	20	2	16

d = inside diameter | D = outside diameter | D1 = flange diameter | B = flange thickness | Length = total length

# Sintered bronze bearings

## size chart

### INCH FLANGED BEARINGS

Article number	d	D	D1	B	Length
SIK 14/18 X ## - 26 X 02	14	18	26	2	12   16   20   24
SIK 16/20 X ## - 28 X 02	16	20	28	2	16   20   24   28   32
SIK 18/22 X ## - 30 X 02	18	22	30	2	16   20   24   28
SIK 20/24 X ## - 30 X 02	20	24	30	2	12   20   24
SIK 20/26 X ## - 32 X 02	20	26	32	2	16   20   24   28
SIK 22/26 X ## - 30 X 02	22	26	30	2	12   20
SIK 24/28 X ## - 30 X 02	24	28	30	2	24   30
SIK 24/30 X ## - 40 X 03	24	30	40	3	20   24   28   32

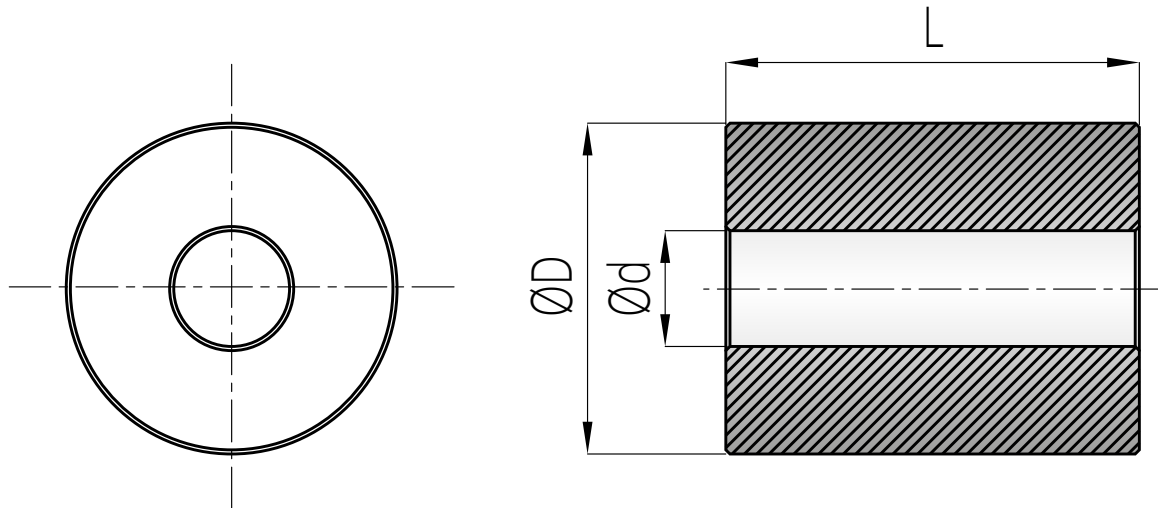
d = inside diameter | D = outside diameter | D1 = flange diameter | B = flange thickness | Length = total length

### INCH CONVERSION TABLE

01 = $\frac{1}{16}$	02 = $\frac{1}{8}$	03 = $\frac{3}{16}$	04 = $\frac{1}{4}$
05 = $\frac{5}{16}$	06 = $\frac{3}{8}$	07 = $\frac{7}{16}$	08 = $\frac{1}{2}$
09 = $\frac{9}{16}$	10 = $\frac{5}{8}$	11 = $\frac{11}{16}$	12 = $\frac{3}{4}$
14 = $\frac{7}{8}$	16 = 1	18 = $1 \frac{1}{8}$	20 = $1 \frac{1}{4}$
22 = $1 \frac{3}{8}$	24 = $1 \frac{1}{2}$	26 = $1 \frac{5}{8}$	28 = $1 \frac{3}{4}$
30 = $1 \frac{7}{8}$	32 = 2	36 = $2 \frac{1}{4}$	40 = $2 \frac{1}{2}$
42 = $2 \frac{5}{8}$	44 = $2 \frac{3}{4}$	48 = 3	56 = $3 \frac{1}{2}$

# Sintered bronze cored bars

## for machining size chart



### CORED BARS-MATERIAL

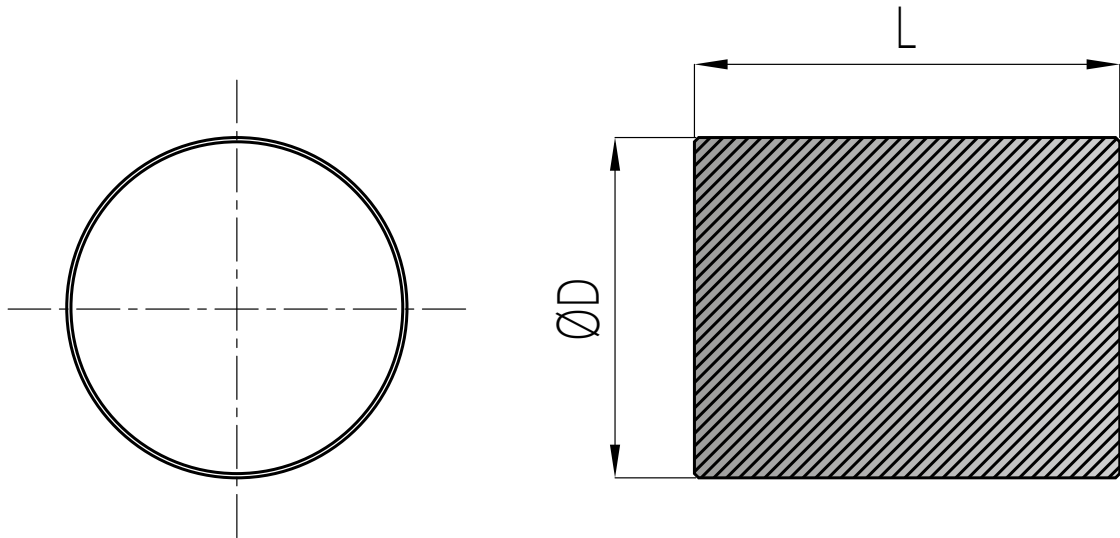
Article number	d	D	Length
SBH 038/066 X ###	38	66	65   120
SBH 045/105 X ###	45	105	120
SBH 053/085 X ###	53	85	65   120
SBH 059/125 X ###	59	125	80   140
SBH 068/104 X ###	68	104	65   120

Article number	d	D	Length
SBH 079/149 X ###	79	149	80   140
SBH 083/123 X ###	83	123	65   120
SBH 098/142 X ###	98	142	65   120
SBH 110/178 X ###	110	178	80   140
SBH 150/202 X ###	150	202	140

d = inside diameter | D = outside diameter | Length = total length

# Sinterbrons bars

## for machining size chart



### BARS-MATERIAL

Article number	D	Length
SBS 015 X ###	15	30
SBS 020 X ###	20	25   50   52
SBS 025 X ###	25	25   50
SBS 030 X ###	30	35   40   50   52
SBS 032 X ###	32	40   80
SBS 040 X ###	40	52
SBS 042 X ###	42	50   100
SBS 045 X ###	45	90
SBS 050 X ###	50	60
SBS 052 X ###	52	60   120

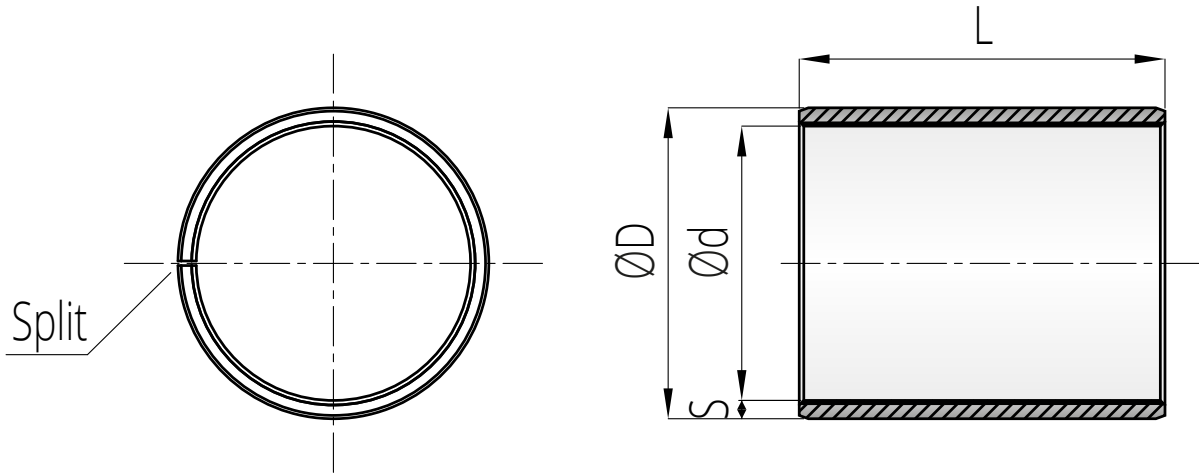
Article number	D	Length
SBS 060 X ###	60	60
SBS 062 X ###	62	120
SBS 070 X ###	70	120
SBS 072 X ###	72	60
SBS 080 X ###	80	120
SBS 105 X ###	105	120
SBS 125 X ###	125	80   120
SBS 149 X ###	149	80   140
SBS 178 X ###	178	140
SBS 202 X ###	202	80

d = inside diameter | D = outside diameter | Length = total length



# PTFE bearings

## size chart



### STEEL BACKING

Article number	d	D	Length
TUP 002.###	2	3,5	3   5
TUP 003.###	3	4,5	3   4   5   6
TUP 004.###	4	5,5	3   4   6   10
TUP 005.###	5	7	4   5   6   8   10
TUP 006.###	6	8	4   5   6   8   10
TUP 007.###	7	9	5   7   10
TUP 008.###	8	10	5   6   8   10   12   15   18
TUP 010.###	10	12	6   8   10   12   15   20
TUP 012.###	12	14	6   8   10   12   15   20   25
TUP 013.###	13	15	10   15   20
TUP 014.###	14	16	10   12   15   20   25
TUP 015.###	15	17	10   12   15   20   25
TUP 016.###	16	18	10   12   15   20   25
TUP 017.###	17	19	12   15   20
TUP 018.###	18	20	10   15   20   25
TUP 020.###	20	23	10   15   20   25   30

Article number	d	D	Length
TUP 022.###	22	25	11   15   20   25   30
TUP 024.###	24	27	15   20   25   30
TUP 025.###	25	28	12   15   20   25   30   40   50
TUP 026.###	26	30	20   30
TUP 028.###	28	32	15   20   25   30
TUP 030.###	30	34	10   15   20   25   30   40
TUP 032.###	32	36	20   30   40
TUP 035.###	35	39	15   20   30   35   40   45   50
TUP 037.###	37	41	20
TUP 038.###	38	42	25
TUP 040.###	40	44	20   25   30   40   45   50
TUP 042.###	42	46	20
TUP 045.###	45	50	20   30   40   45   50
TUP 050.###	50	55	20   25   30   40   50   60
TUP 055.###	55	60	20   25   30   35   40   50   55   60
TUP 060.###	60	65	20   30   40   50   60   70

d = inside diameter | D = outside diameter | Length = total length

# PTFE bearings size chart

## STEEL BACKING

Article number	d	D	Length
TUP 065.###	65	70	30   40   50   60   70
TUP 070.###	70	75	40   50   60   70
TUP 075.###	75	80	40   50   60   70   80
TUP 080.###	80	85	40   60   80   100
TUP 085.###	85	90	40   60   100
TUP 090.###	90	95	40   50   60   80   90   100
TUP 095.###	95	100	60   80   100
TUP 100.###	100	105	30   40   50   60   70   80   100   115
TUP 105.###	105	110	60   80   100   115
TUP 110.###	110	115	60   80   100   115
TUP 115.###	115	120	50   60   70   115
TUP 120.###	120	125	50   60   100
TUP 125.###	125	130	60   80   100
TUP 130.###	130	135	60   80   100
TUP 135.###	135	140	60   80   100
TUP 140.###	140	145	60   80   100
TUP 145.###	145	150	60   100
TUP 150.###	150	155	60   100
TUP 155.###	155	160	60   100
TUP 160.###	160	165	60   100
TUP 165.###	165	170	60   100
TUP 170.###	170	175	60   100
TUP 175.###	175	180	60   100
TUP 180.###	180	185	60   80   100

Article number	d	D	Length
TUP 185.###	185	190	60   100
TUP 190.###	190	195	60   100
TUP 195.###	195	200	60   100
TUP 200.###	200	205	60   100
TUP 205.###	205	210	60   100
TUP 210.###	210	215	60   100
TUP 215.###	215	220	60   100
TUP 220.###	220	225	60   100
TUP 225.###	225	230	60   100
TUP 230.###	230	235	60   100
TUP 235.###	235	240	60   110
TUP 240.###	240	245	60   100
TUP 245.###	245	250	60   100
TUP 250.###	250	255	60   100
TUP 255.###	255	260	60   100
TUP 260.###	260	265	60   100
TUP 265.###	265	270	60   100
TUP 270.###	270	275	60   100
TUP 275.###	275	280	60   100
TUP 280.###	280	285	60   100
TUP 285.###	285	290	60   100
TUP 290.###	290	295	60   100
TUP 295.###	295	300	60   100
TUP 300.###	300	305	60   100

d = inside diameter | D = outside diameter | Length = total length

# PTFE bearings

## size chart

### BRONZE BACKING

Article number	d	D	Length
TUP 002.### B	2	3,5	3
TUP 003.### B	3	4,5	2
TUP 004.### B	4	5,5	4   6
TUP 005.### B	5	7	5   8   10
TUP 006.### B	6	8	6   8   10
TUP 008.### B	8	10	8   10   12
TUP 010.### B	10	12	5   8   10   12   15   20
TUP 012.### B	12	14	8   10   12   15   20   25
TUP 013.### B	13	15	10   20
TUP 014.### B	14	16	12   15   20   25
TUP 015.### B	15	17	10   15   20   25
TUP 016.### B	16	18	10   12   15   20   25
TUP 017.### B	17	19	15   20
TUP 018.### B	18	20	15   20   25
TUP 020.### B	20	23	10   15   20   25   30
TUP 022.### B	22	25	20   25   30
TUP 024.### B	24	27	15   20   30
TUP 025.### B	25	28	15   20   25   30   50

Artikelnummer	d	D	Length
TUP 028.### B	28	32	20   25   30
TUP 030.### B	30	34	20   25   30   40
TUP 032.### B	32	36	20   30
TUP 035.### B	35	39	20   25   30   35   40
TUP 040.### B	40	44	30   40   50
TUP 045.### B	45	50	20   30   40   45   50
TUP 050.### B	50	55	20   30   40   50   60
TUP 055.### B	55	60	20   25   30   40   50   60
TUP 060.### B	60	65	30   40   50   60
TUP 065.### B	65	70	30   50   60
TUP 070.### B	70	75	40   50   60   70
TUP 075.### B	75	80	40   50   60   80
TUP 080.### B	80	85	60   100
TUP 085.### B	85	90	60   100
TUP 090.### B	90	95	60   100
TUP 095.### B	95	100	60   100
TUP 100.### B	100	105	60   115

d = inside diameter | D = outside diameter | Length = total length

# PTFE bearings

## size chart

### STAINLESS STEEL BACKING

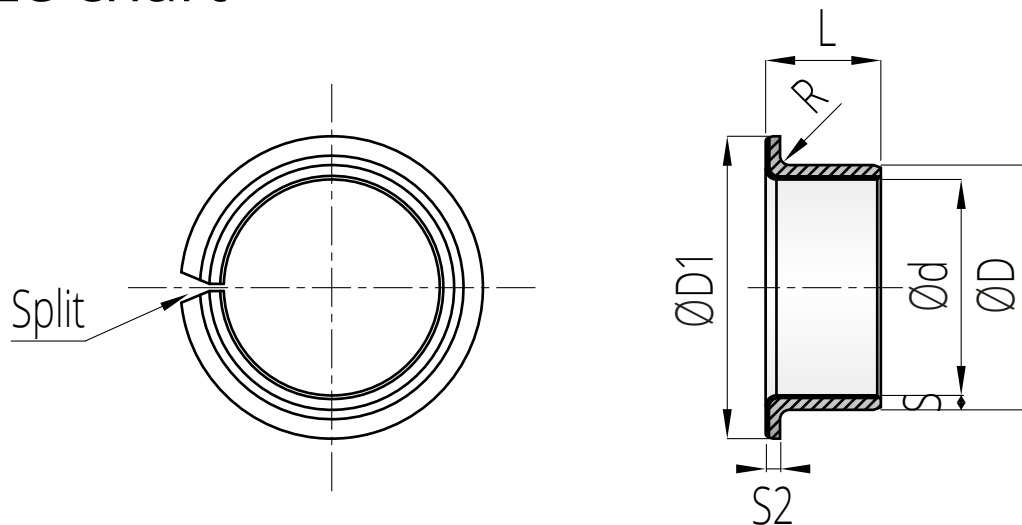
Article number	d	D	Length
TUP 010.### I	10	12	10   12   15   20
TUP 012.### I	12	14	10   15   20
TUP 014.### I	14	16	15   20   25
TUP 015.### I	15	17	10   15   20
TUP 016.### I	16	18	10   15   20   25
TUP 017.### I	17	19	15
TUP 018.### I	18	20	15   20   25
TUP 020.### I	20	23	10   15   20   25   30
TUP 022.### I	22	25	20   25   30
TUP 024.### I	24	27	20   25   30
TUP 025.### I	25	28	20   25   30   40

Article number	d	D	Length
TUP 028.### I	28	32	20   25   30   40
TUP 030.### I	30	34	20   25   30   40
TUP 032.### I	32	36	20   30   40
TUP 035.### I	35	39	20   25   30   40   50
TUP 040.### I	40	44	20   25   30   40   50
TUP 045.### I	45	50	30   40   50
TUP 050.### I	50	55	30   40   50   60
TUP 055.### I	55	60	30   40   50   60
TUP 060.### I	60	65	40   50   60
TUP 075.### I	75	80	40   50   70
TUP 080.### I	80	85	40   60   80

d = inside diameter | D = outside diameter | Length = total length

# PTFE flanged bearings

## size chart



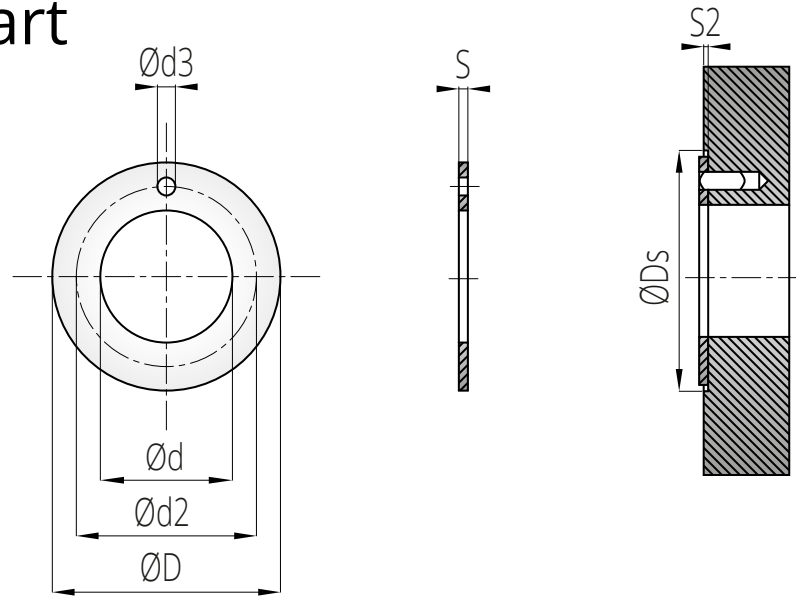
### STEEL BACKING

Article number	d	D	D1	S2	Length
TUF 003.###	3	4,5	7	0,75	4
TUF 004.###	4	5,5	9	0,75	4
TUF 005.###	5	7	10	1	5
TUF 006.###	6	8	12	1	4   7   8
TUF 008.###	8	10	15	1	5,5   7,5   9,5
TUF 010.###	10	12	18	1	7   9   12   17
TUF 012.###	12	14	20	1	7   9   12   17
TUF 014.###	14	16	22	1	12   17
TUF 015.###	15	17	23	1	9   12   17
TUF 016.###	16	18	24	1	12   17
TUF 018.###	18	20	26	1	12   17   22
TUF 020.###	20	23	30	1,5	11,5   16,5   21,5
TUF 025.###	25	28	35	1,5	11,5   16,5   21,5
TUF 030.###	30	34	42	2	16   26
TUF 035.###	35	39	47	2	16   26
TUF 040.###	40	44	53	2	16   26
TUF 045.###	45	50	58	2,5	16   26   40
TUF 050.###	50	55	65	2,5	20   40
TUF 055.###	55	60	70	2,5	30   40
TUF 060.###	60	65	75	2,5	30   40

d = inside diameter | D = outside diameter | D1 = flange diameter | S2 = flange thickness | Length = total length

# PTFE thrust washers

## size chart



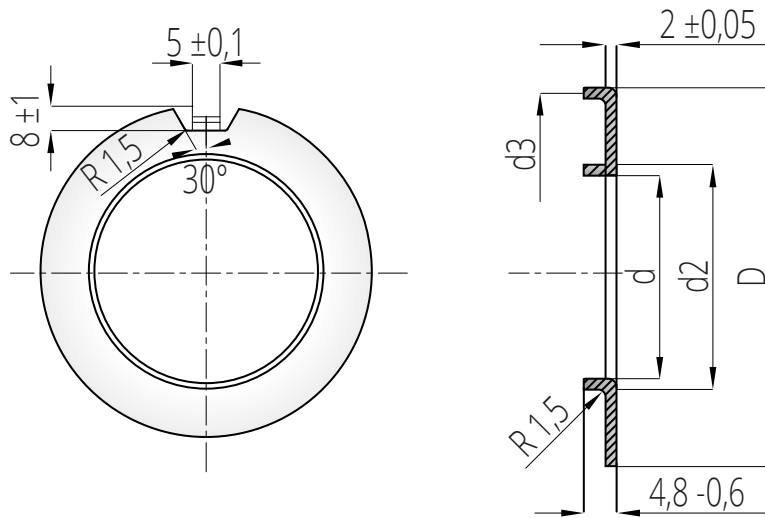
### STEEL BACKING

Article number	d	D	S	d3	d2	S2
TUW 08	10	20	1,50			
TUW 10	12	24	1,50	1,75	18,00	0,95 / 1,20
TUW 12	14	26	1,50	2,25	20,00	0,95 / 1,20
TUW 14	16	30	1,50	2,25	22,00	0,95 / 1,20
TUW 16	18	32	1,50	2,25	25,00	0,95 / 1,20
TUW 18	20	36	1,50	3,25	28,00	0,95 / 1,20
TUW 20	22	38	1,50	3,25	30,00	0,95 / 1,20
TUW 22	24	42	1,50	3,25	33,00	0,95 / 1,20
TUW 24	26	44	1,50	3,25	35,00	0,95 / 1,20
TUW 25	28	48	1,50	4,25	38,00	0,95 / 1,20
TUW 30	32	54	1,50	4,25	43,00	0,95 / 1,20
TUW 35	38	62	1,50	4,25	50,00	0,95 / 1,20
TUW 40	42	66	1,50	4,25	54,00	0,95 / 1,20
TUW 45	48	74	2,00	4,25	61,00	1,45 / 1,70
TUW 50	52	78	2,00	4,25	65,00	1,45 / 1,70
TUW 60	62	90	2,00	4,25	76,00	1,45 / 1,70

d = inside diameter | D = outside diameter | S = thickness | d3 = locking hole | d2 = perforation circle | S2 = fitting depth



# PTFE flanged thrust washers size chart



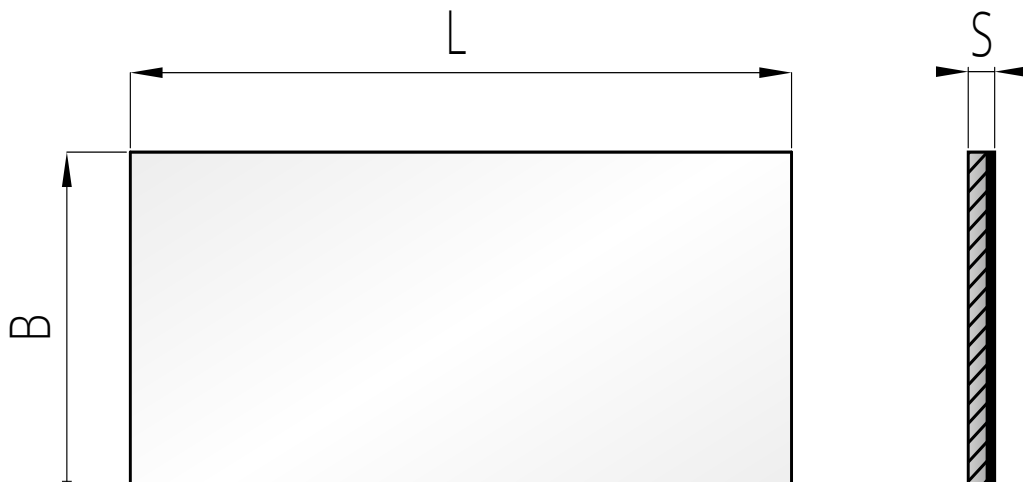
## STEEL BACKING

Article number	d	d2	D	d3
TUWF 40	40,2	44	75	65
TUWF 50	51	55	85	75
TUWF 60	61	65	95	85
TUWF 70	71	75	110	100
TUWF 80	81	85	120	110
TUWF 90	91	95	130	120
TUWF 100	101	105	140	130

d = inside diameter | d2 = outside diameter | D = flange diameter | d3 = locking hole

# PTFE strips

## size chart



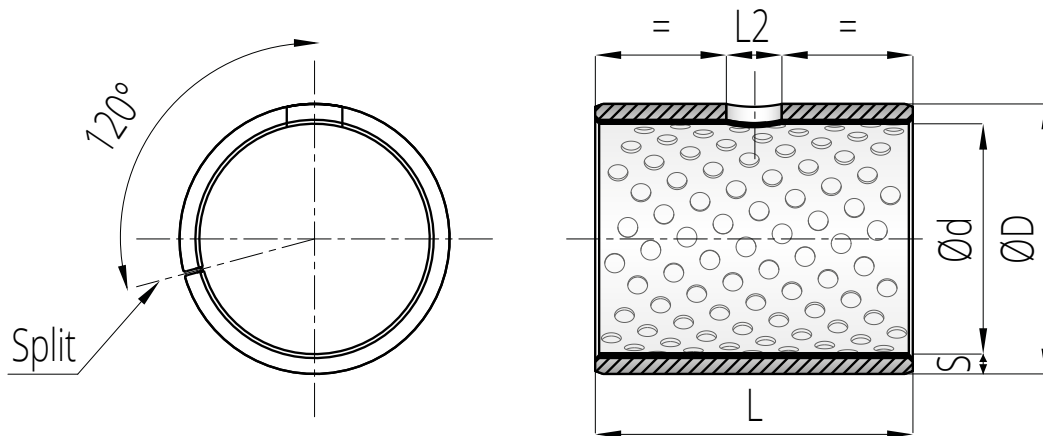
### STEEL BACKING

Article number	L	B	B1	S
TUS 500 x 200 x 0,75	500	200	190	0,72 (± 0,02)
TUS 500 x 200 x 1,00	500	200	190	0,99 (± 0,02)
TUS 500 x 254 x 1,50	500	254	240	1,50 (± 0,02)
TUS 500 x 254 x 2,00	500	254	240	1,98 (± 0,02)
TUS 500 x 254 x 2,50	500	254	240	2,48 (± 0,02)
TUS 500 x 254 x 3,00	500	254	240	3,04 (± 0,02)

L = length | B = width | B1 = usable width | S = thickness

# POM bearings

## size chart



### BEARINGS

Article number	d	D	Length
TXP 008.###	8	10	8   10   12
TXP 010.###	10	12	10   12   15   20
TXP 012.###	12	14	10   12   15   20
TXP 014.###	14	16	15   20   25
TXP 015.###	15	17	15   20   25
TXP 016.###	16	18	15   20   25
TXP 018.###	18	20	15   20   25
TXP 020.###	20	23	10   15   20   25   30
TXP 022.###	22	25	15   20   25   30
TXP 024.###	24	27	15   20   25   30
TXP 025.###	25	28	15   20   25   30
TXP 028.###	28	32	20   25   30
TXP 030.###	30	34	20   25   30   40
TXP 032.###	32	36	20   25   30   40
TXP 035.###	35	39	20   25   30   35   40   50
TXP 037.###	37	41	20

Article number	d	D	Length
TXP 040.###	40	44	20   30   40   50
TXP 045.###	45	50	20   30   40   45   50
TXP 050.###	50	55	20   30   40   50   60
TXP 055.###	55	60	20   30   40   50   60
TXP 060.###	60	65	30   40   50   60   70
TXP 065.###	65	70	30   40   50   60   70
TXP 070.###	70	75	40   50   60   65   70   80
TXP 075.###	75	80	40   50   60   80
TXP 080.###	80	85	40   50   60   80   100
TXP 085.###	85	90	40   60   80   100
TXP 095.###	95	100	60   100
TXP 100.###	100	105	50   60   70   95   115
TXP 105.###	105	110	60   80   100   115
TXP 110.###	110	115	60   110
TXP 115.###	115	120	70
TXP 120.###	120	125	60   100

d = inside diameter | D = outside diameter | Length = total length

# POM bearings

## size chart

### BEARINGS

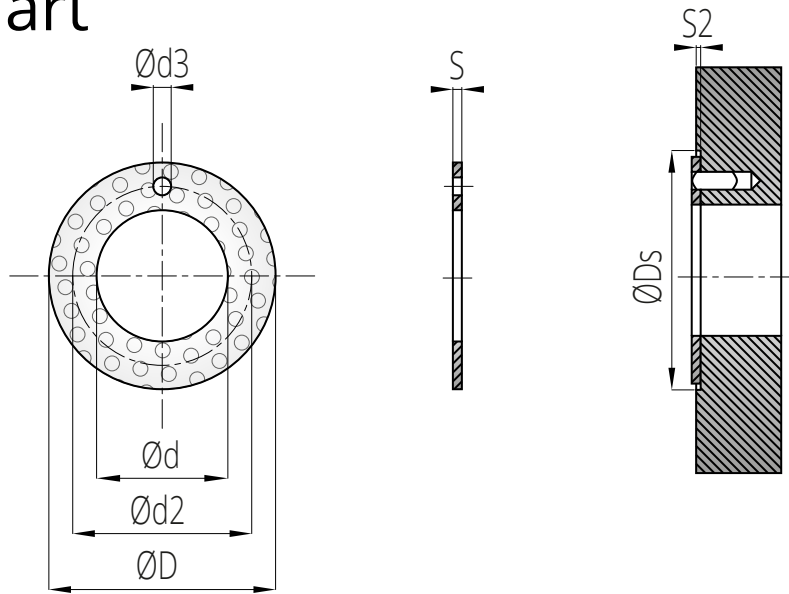
Article number	d	D	Length
TXP 125.###	125	130	60   100
TXP 130.###	130	135	60   100
TXP 135.###	135	140	60   100
TXP 140.###	140	145	60   100
TXP 145.###	145	150	60   100
TXP 150.###	150	155	60   100
TXP 160.###	160	165	60   100
TXP 165.###	165	170	60   100
TXP 170.###	170	175	60   100
TXP 180.###	180	185	60   100

Article number	d	D	Length
TXP 190.###	190	195	60   100
TXP 200.###	200	205	60   100
TXP 220.###	220	225	60   100
TXP 225.###	225	230	60   100
TXP 240.###	240	245	60   100
TXP 250.###	250	255	60   100
TXP 260.###	260	265	60   100
TXP 280.###	280	285	60   100
TXP 300.###	300	305	60   100

d = inside diameter | D = outside diameter | Length = total length

# POM strips

## size chart



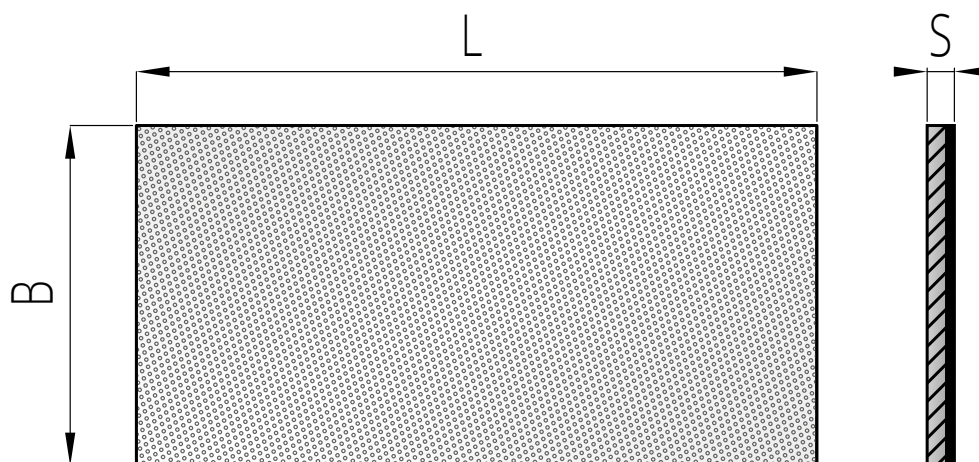
### STRIPS

Article number	d	D	D1	S	S2	Length
TXW 08	10	20	1,535			
TXW 10	12	24	1,535	1,75	18,00	0,95 / 1,20
TXW 12	14	26	1,535	2,25	20,00	0,95 / 1,20
TXW 14	16	30	1,535	2,25	22,00	0,95 / 1,20
TXW 16	18	32	1,535	2,25	25,00	0,95 / 1,20
TXW 18	20	36	1,535	3,25	28,00	0,95 / 1,20
TXW 20	22	38	1,535	3,25	30,00	0,95 / 1,20
TXW 22	24	42	1,535	3,25	33,00	0,95 / 1,20
TXW 24	26	44	1,535	3,25	35,00	0,95 / 1,20
TXW 25	28	48	1,535	4,25	38,00	0,95 / 1,20
TXW 30	32	54	1,535	4,25	43,00	0,95 / 1,20
TXW 35	38	62	1,535	4,25	50,00	0,95 / 1,20
TXW 40	42	66	1,535	4,25	54,00	0,95 / 1,20
TXW 45	48	74	2,555	4,25	61,00	1,45 / 1,70
TXW 50	52	78	2,555	4,25	65,00	1,45 / 1,70
TXW 60	62	90	2,555	4,25	76,00	1,45 / 1,70

d = inside diameter | D = outside diameter | S = thickness | d2 = perforation circle | d3 = locking hole | S2 = fitting depth

# POM sliding plates

## size chart



### SLIDING PLATES

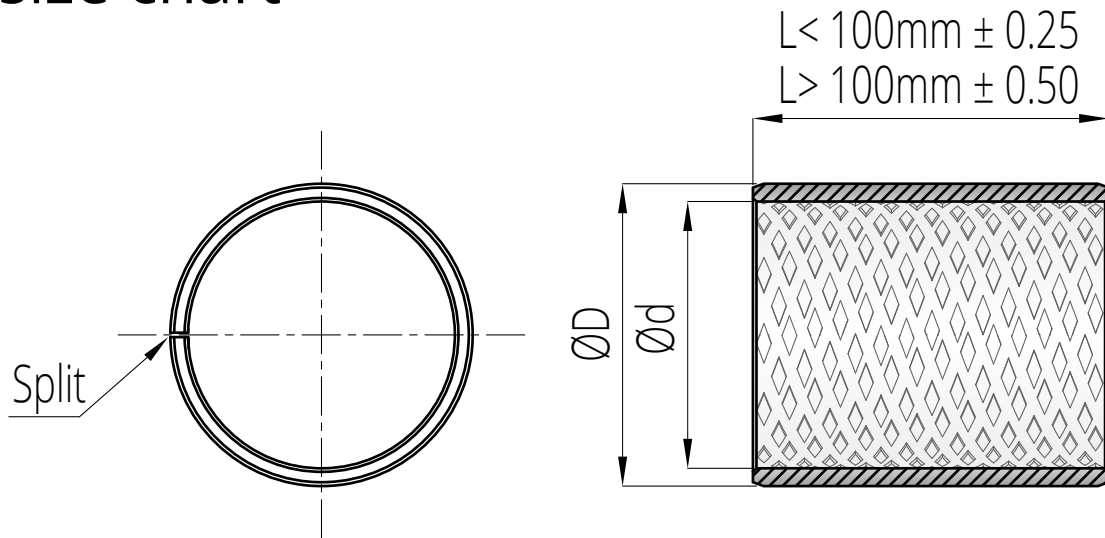
Article number	L	B	B1	S
TXS 500 x 160 x 1,00	500	160	150	1,05 (± 0,02)
TXS 500 x 200 x 1,50	500	200	190	1,54 (± 0,02)
TXS 500 x 200 x 2,00	500	200	190	2,03 (± 0,02)
TXS 500 x 200 x 2,50	500	200	190	2,55 (± 0,02)
TUS 500 x 254 x 2,50	500	254	240	2,48 (± 0,02)

L = length | B = width | B1 = useable width | S = thickness



# Wrapped bronze bearings

## size chart



### BEARINGS

Article number	d	D	Length
T90P 010.###	10	12	8   10   15   20
T90P 012.###	12	14	8   10   12   15   20
T90P 014.###	14	16	10   15   20   25
T90P 015.###	15	17	10   15   20   25
T90P 016.###	16	18	10   15   20   25
T90P 017.###	17	19	15   20
T90P 018.###	18	20	10   15   20   25
T90P 020.###	20	23	10   15   20   25   30
T90P 022.###	22	25	8   10   15   20   25   30   40
T90P 024.###	24	27	15   20   25   30
T90P 025.###	25	28	15   20   25   30   50
T90P 028.###	28	32	15   20   25   30
T90P 030.###	30	34	15   20   25   30   35   40
T90P 032.###	32	36	15   20   25   30   35   40   50
T90P 035.###	35	39	15   20   25   30   35   40   50
T90P 040.###	40	44	20   25   30   35   40   50   60

Article number	d	D	Length
T90P 045.###	45	50	25   30   35   40   50   60
T90P 050.###	50	55	25   30   35   40   50   60
T90P 055.###	55	60	25   30   35   40   50   60
T90P 060.###	60	65	30   35   40   50   60   70
T90P 065.###	65	70	30   35   40   50   60   70
T90P 070.###	70	75	35   40   50   60   70   80
T90P 075.###	75	80	35   40   50   60   70   80
T90P 080.###	80	85	40   60   80
T90P 085.###	85	90	40   60   80
T90P 090.###	90	95	40   50   60   80   90   100
T90P 095.###	95	100	40   60   80   100
T90P 100.###	100	105	40   60   80   100
T90P 105.###	105	110	60   100
T90P 110.###	110	115	60   100
T90P 115.###	115	120	60   100
T90P 120.###	120	125	60   100

d = inside diameter | D = outside diameter | Length = total length

# Wrapped bronze bearings

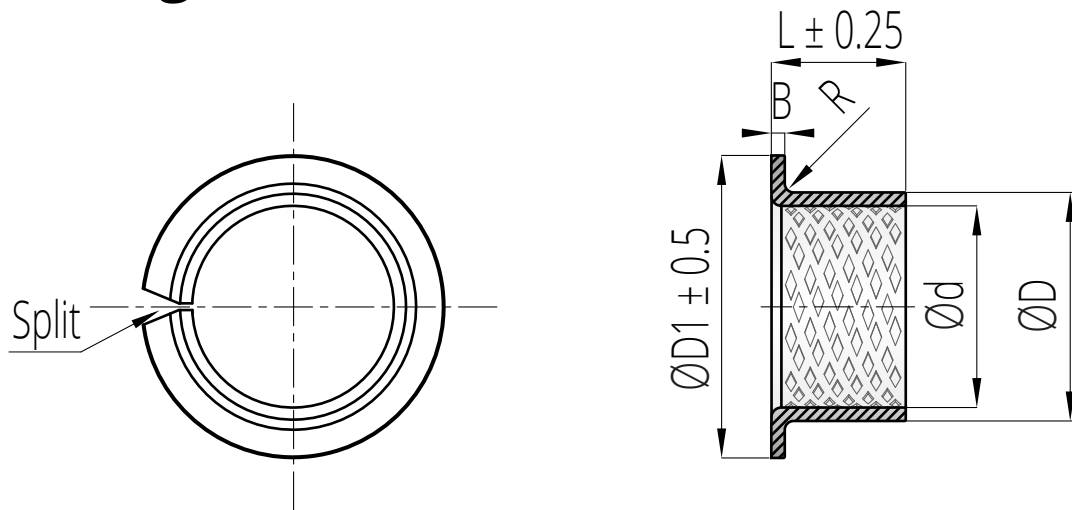
## size chart

### BEARINGS

Article number	d	D	Length
T90P 125.###	125	130	60   100
T90P 130.###	130	135	60   100
T90P 135.###	135	140	60   100
T90P 140.###	140	145	60   100
T90P 145.###	145	150	60   100
T90P 150.###	150	155	60   80   100
T90P 155.###	155	160	60   100
T90P 160.###	160	165	60   100
T90P 165.###	165	170	60   100
T90P 170.###	170	175	60   100
T90P 175.###	175	180	60   100
T90P 180.###	180	185	60   100
T90P 185.###	185	190	60   100
T90P 190.###	190	195	60   100
T90P 195.###	195	200	60   100

Article number	d	D	Length
T90P 200.###	200	205	60   100
T90P 205.###	205	210	60   100
T90P 210.###	210	215	60   100
T90P 215.###	215	220	60   100
T90P 220.###	220	225	60   100
T90P 225.###	225	230	60   100
T90P 230.###	230	235	60   100
T90P 240.###	240	245	60   100
T90P 250.###	250	255	60   100
T90P 260.###	260	265	60   100
T90P 270.###	270	275	60   100
T90P 280.###	280	285	60   100
T90P 290.###	290	295	60   100
T90P 300.###	300	305	60   100

# Wrapped bronze flanged bearings size chart



## FLANGED BEARINGS

Article number	d	D	D1	B	Length
T90F 025.###	25	28	35	1,5	15   25
T90F 030.###	30	34	45	2	20   30
T90F 035.###	35	39	50	2	20   30   35
T90F 040.###	40	44	55	2	25   30   40
T90F 045.###	45	50	60	2,5	25   30   40   45   50
T90F 050.###	50	55	65	2,5	25   30   40   50
T90F 055.###	55	60	70	2,5	30   50
T90F 060.###	60	65	75	2,5	30   50   60
T90F 065.###	65	70	80	2,5	30   50   60
T90F 070.###	70	75	85	2,5	40   60   70
T90F 075.###	75	80	90	2,5	40   60   70
T90F 080.###	80	85	100	2,5	40   50   80
T90F 090.###	90	95	110	2,5	50   90
T90F 095.###	95	100	115	2,5	50   90
T90F 100.###	100	105	120	2,5	50   90
T90F 110.###	110	115	130	2,5	50   90
T90F 120.###	120	125	140	2,5	50   90

d = inside diameter | D = outside diameter | D1 = flange diameter | B = flange thickness | Length = total length

# Wrapped bronze flanged bearings size chart

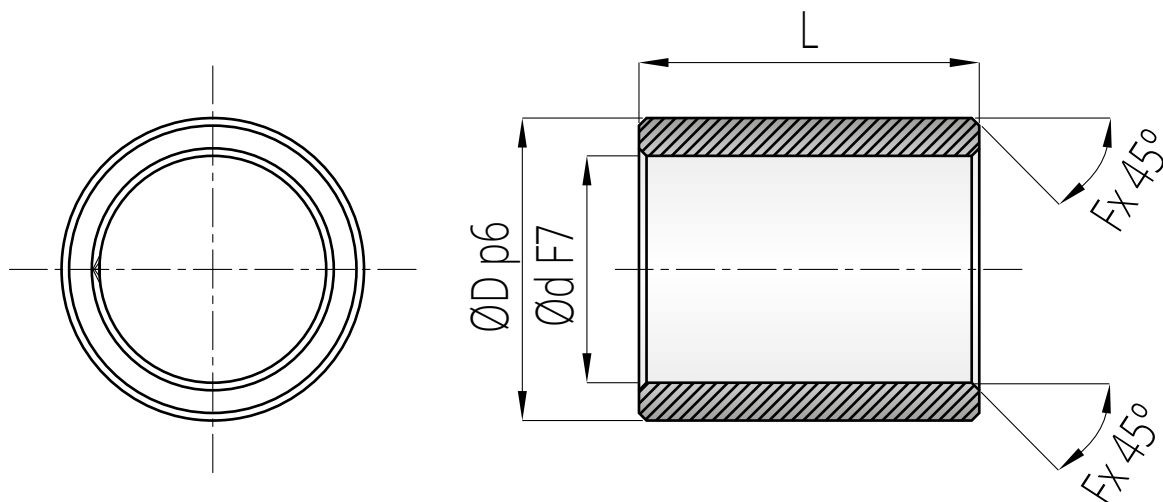
## FLANGED BEARINGS

Article number	d	D	D1	B	Length
T90F 130.###	130	135	155	2,5	60   90
T90F 140.###	140	145	165	2,5	60   90
T90F 150.###	150	155	180	2,5	60   90
T90F 160.###	160	165	190	2,5	60   90
T90F 170.###	170	175	200	2,5	60   90
T90F 180.###	180	185	215	2,5	60   90
T90F 190.###	190	195	225	2,5	60   90
T90F 200.###	200	205	235	2,5	60   90
T90F 225.###	225	230	260	2,5	60   90
T90F 250.###	250	255	290	2,5	60   90
T90F 265.###	265	270	305	2,5	60   90
T90F 285.###	285	290	325	2,5	60   90
T90F 300.###	300	305	340	2,5	60   90

d = inside diameter | D = outside diameter | D1 = flange diameter | B = flange thickness | Length = total length

# Solid bronze bearings

## size chart



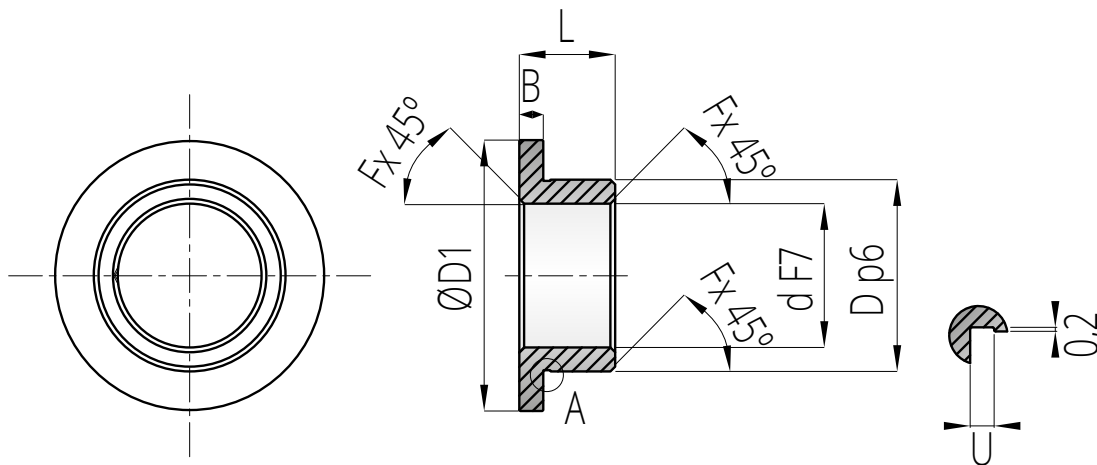
### BEARINGS

Article number	d	D	Length
TBP 005/010 X ###	5	10	6   8   10
TBP 006/013 X ###	6	13	6   8   12
TBP 007/012 X ###	7	12	8   10   12
TBP 008/014 X ###	8	14	8   12   16
TBP 010/016 X ###	10	16	10   16   20
TBP 012/018 X ###	12	18	12   16   25
TBP 014/020 X ###	14	20	12   20   30
TBP 015/022 X ###	15	22	16   20   30
TBP 016/022 X ###	16	22	16   20   30
TBP 017/025 X ###	17	25	16   20   30
TBP 018/025 X ###	18	25	16   20   30
TBP 020/028 X ###	20	28	20   30   40
TBP 022/032 X ###	22	32	20   30   40
TBP 025/035 X ###	25	35	25   35   5
TBP 028/040 X ###	28	40	25   50
TBP 030/040 X ###	30	40	30   45   60
TBP 035/045 X ###	35	45	35   50   70
TBP 040/050 X ###	40	50	40   60   80
TBP 045/055 X ###	45	55	45   60   80
TBP 050/060 X ###	50	60	50   70   100
TBP 055/070 X ###	55	70	50   70   100

Article number	d	D	Length
TBP 060/075 X ###	60	75	60   90   120
TBP 065/080 X ###	65	80	60   90   120
TBP 070/085 X ###	70	85	60   90   120
TBP 075/090 X ###	75	90	70   100   140
TBP 080/095 X ###	80	95	70   100   140
TBP 085/100 X ###	85	100	70   100   140
TBP 090/110 X ###	90	110	80   120   160
TBP 095/115 X ###	95	115	80   120   160
TBP 100/120 X ###	100	120	80   120   160
TBP 110/130 X ###	110	130	80   140   200
TBP 120/140 X ###	120	140	80   140   200
TBP 130/150 X ###	130	150	90   140   200
TBP 140/160 X ###	140	160	90   160   200
TBP 150/170 X ###	150	170	100   160
TBP 160/180 X ###	160	180	100   160
TBP 170/190 X ###	170	190	100   160
TBP 180/200 X ###	180	200	100
TBP 190/210 X ###	190	210	120
TBP 200/220 X ###	200	220	120
TBP 210/230 X ###	210	230	120

d = inside diameter | D = outside diameter | Length = total length

# Solid flanged bronze bearings size chart



## FLANGED BEARINGS

Article number	d	D	D1	B	Length
TBF 005/010 X ### - 012 X 02	5	10	12	2	6
TBF 006/012 X ### - 014 X 02	6	12	14	2	6
TBF 008/014 X ### - 018 X 03	8	14	18	3	8
TBF 010/016 X ### - 020 X 03	10	16	20	3	8   10
TBF 012/018 X ### - 022 X 03	12	18	22	3	10   12
TBF 014/020 X ### - 025 X 03	14	20	25	3	10   12
TBF 015/022 X ### - 028 X 03	15	22	28	3	12   16
TBF 016/022 X ### - 028 X 04	16	22	28	4	12   16
TBF 018/025 X ### - 032 X 04	18	25	32	4	12   16
TBF 020/028 X ### - 035 X 04	20	28	35	4	16   20
TBF 022/032 X ### - 040 X 05	22	32	40	5	16   20
TBF 025/035 X ### - 045 X 05	25	35	45	5	16   25
TBF 028/040 X ### - 050 X 05	28	40	50	5	16   25
TBF 030/040 X ### - 050 X 05	30	40	50	5	20   30
TBF 035/045 X ### - 055 X 05	35	45	55	5	20   35
TBF 040/050 X ### - 060 X 06	40	50	60	6	25   40
TBF 045/055 X ### - 065 X 06	45	55	65	6	30   45
TBF 050/060 X ### - 070 X 06	50	60	70	6	30   50
TBF 055/070 X ### - 080 X 08	55	70	80	8	30   50
TBF 060/075 X ### - 085 X 08	60	75	85	8	35   60
TBF 065/080 X ### - 090 X 08	65	80	90	8	35   60

d = inside diameter | D = outside diameter | D1 = flange diameter | B = flange thickness | Length = total length



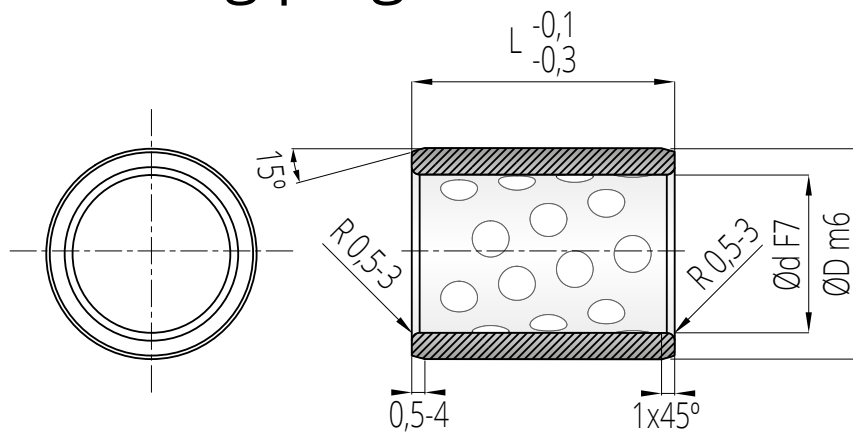
# Solid flanged bronze bearings size chart

## FLANGED BEARINGS

Article number	d	D	D1	B	Length
TBF 070/085 X ### - 095 X 08	70	85	95	8	35   60
TBF 075/090 X ### - 100 X 08	75	90	100	8	40   70
TBF 080/095 X ### - 105 X 08	80	95	105	8	40   70
TBF 085/100 X ### - 110 X 08	85	100	110	8	40   70
TBF 090/110 X ### - 120 X 08	90	110	120	8	50   80
TBF 095/115 X ### - 125 X 08	95	115	125	8	50   80
TBF 100/120 X ### - 130 X 08	100	120	130	8	50   80
TBF 105/125 X ### - 135 X 08	105	125	135	8	50   80
TBF 110/130 X ### - 140 X 08	110	130	140	8	50   80
TBF 120/140 X ### - 150 X 08	120	140	150	8	50   80
TBF 130/150 X ### - 165 X 10	130	150	165	10	60   90
TBF 140/160 X ### - 175 X 10	140	160	175	10	60   90
TBF 150/170 X ### - 185 X 10	150	170	185	10	70   100
TBF 160/180 X ### - 195 X 10	160	180	195	10	70   100
TBF 170/190 X ### - 205 X 10	170	190	205	10	70   100
TBF 180/200 X ### - 215 X 10	180	200	215	10	100
TBF 190/210 X ### - 225 X 10	190	210	225	10	120
TBF 200/220 X ### - 235 X 10	200	220	235	10	120

d = inside diameter | D = outside diameter | D1 = flange diameter | B = flange thickness | Length = total length

# Maintenance-free plain bearings with lubricating plugs size chart



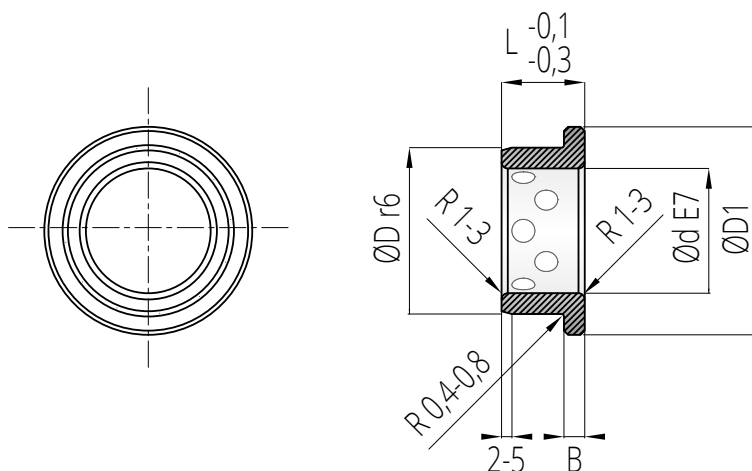
## BEARINGS

Article number	d	D	Length
TOP 008/012 X ###	8	12	8   10   12   15
TOP 010/014 X ###	10	14	8   10   12   15   20
TOP 012/018 X ###	12	18	10   12   15   16   20   25   30
TOP 013/019 X ###	13	19	10   15   16
TOP 014/020 X ###	14	20	10   12   15   20   25   30
TOP 015/021 X ###	15	21	10   12   15   16   20   25   30
TOP 016/022 X ###	16	22	10   12   15   16   20   25   30   35   40
TOP 018/024 X ###	18	24	12   15   16   20   25   30   35   40
TOP 020/028 X ###	20	28	10   12   15   16   20   25   30   35   40   50
TOP 020/030 X ###	20	30	16   20   25   30   35   40
TOP 022/032 X ###	22	32	12   15   20   25
TOP 025/033 X ###	25	33	12   15   16   20   25   30   35   40   50   60
TOP 025/035 X ###	25	35	16   20   25   30   35   40   45   50
TOP 030/038 X ###	30	38	15   20   25   30   35   40   50   60
TOP 030/040 X ###	30	40	20   25   30   35   40   45   50   60
TOP 035/044 X ###	35	44	30   35   40   50   60
TOP 035/045 X ###	35	45	20   25   30   35   40   50   60
TOP 040/050 X ###	40	50	20   25   30   35   40   50   60   70   80
TOP 040/055 X ###	40	55	30   35   40   50   60
TOP 045/055 X ###	45	55	30   35   40   50   60
TOP 045/056 X ###	45	56	30   35   40   50   60
TOP 045/060 X ###	45	60	30   35   40   50   60   70   80

Article number	d	D	Length
TOP 050/060 X ###	50	60	30   35   40   50   60   70   80
TOP 050/062 X ###	50	62	30   35   40   50   60   70
TOP 050/065 X ###	50	65	30   40   50   60   70   80   100
TOP 055/070 X ###	55	70	40   50   60   70
TOP 060/074 X ###	60	74	30   35   40   50   60   70   80
TOP 060/075 X ###	60	75	30   35   40   50   60   70   80   100
TOP 065/080 X ###	65	80	50   60   70   80
TOP 070/085 X ###	70	85	35   40   50   60   70   80   100
TOP 070/090 X ###	70	90	50   60   70   80
TOP 075/090 X ###	75	90	60   70   80   100
TOP 075/095 X ###	75	95	60   70   80   100
TOP 080/096 X ###	80	96	40   50   60   70   80   100   120
TOP 080/100 X ###	80	100	40   50   60   70   80   100   120   140
TOP 090/110 X ###	90	110	50   60   70   80   100   120
TOP 100/120 X ###	100	120	60   70   80   100   120   140
TOP 110/130 X ###	110	130	80   100   120
TOP 120/140 X ###	120	140	80   100   120   140
TOP 125/145 X ###	125	145	100   120
TOP 130/150 X ###	130	150	100   130
TOP 140/160 X ###	140	160	100   140
TOP 150/170 X ###	150	170	100   150
TOP 160/180 X ###	160	180	100   150

d = inside diameter | D = outside diameter | Length = total length

# Maintenance-free flanged bearings with lubricating plugs size chart

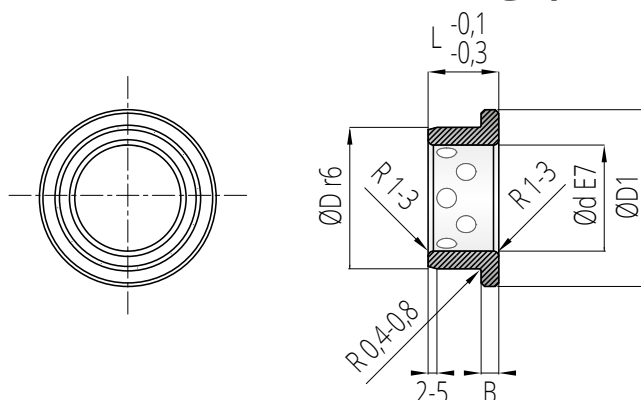


## FLANGED BEARINGS

Article number	d	D	D1	B	Length
TOF 010/014 X ### - 022 X 02	10	14	22	2	10   15   20
TOF 012/018 X ### - 025 X 03	12	18	25	3	10   15   20
TOF 014/020 X ### - 027 X 03	14	20	27	3	15   20
TOF 015/021 X ### - 028 X 03	15	21	28	3	10   15   20   25   30
TOF 016/022 X ### - 029 X 03	16	22	29	3	15   20   25   30
TOF 020/030 X ### - 040 X 05	20	30	40	5	15   20   25   30   40
TOF 025/035 X ### - 045 X 05	25	35	45	5	15   20   25   30   40
TOF 030/040 X ### - 050 X 05	30	40	50	5	20   25   30   35   40   50
TOF 035/045 X ### - 060 X 05	35	45	60	5	20   30   40   50
TOF 040/050 X ### - 065 X 05	40	50	65	5	20   30   40   50
TOF 045/055 X ### - 070 X 05	45	55	70	5	30   40   50   60
TOF 050/060 X ### - 075 X 05	50	60	75	5	30   40   50   60
TOF 055/065 X ### - 080 X 05	55	65	80	5	40   60
TOF 060/075 X ### - 090 X 08	60	75	90	7,5	40   50   60   80
TOF 070/085 X ### - 105 X 08	70	85	105	7,5	50   80
TOF 075/090 X ### - 110 X 08	75	90	110	7,5	60
TOF 080/100 X ### - 120 X 10	80	100	120	10	60   70   80   100
TOF 090/110 X ### - 130 X 10	90	110	130	10	60   80
TOF 100/120 X ### - 150 X 10	100	120	150	10	50   80   100
TOF 120/140 X ### - 170 X 10	120	140	170	10	80   100
TBF 065/080 X ### - 090 X 08	65	80	90	8	35   60

d = inside diameter | D = outside diameter | D1 = flange diameter | B = flange thickness | Length = total length

# Maintenance-free thrust washers with lubricating plugs size chart



## THRUST WASHERS

Article number	d	D	B	W	Quantity	d2	Countersunk screw DIN 7991
TOW 010.2/030 X 03	10.2	30	3	20	2	3,5	M3
TOW 012.2/040 X 03	12.2	40	3	28	2	3,5	M3
TOW 013.2/040 X 03	13.2	40	3	28	2	3,5	M3
TOW 014.2/040 X 03	14.2	40	3	28	2	3,5	M3
TOW 015.2/050 X 03	15.2	50	3	35	2	3,5	M3
TOW 016.2/050 X 03	16.2	50	3	35	2	3,5	M3
TOW 018.2/050 X 03	18.2	50	3	35	2	3,5	M3
TOW 020.2/050 X 05	20.2	50	5	35	2	6	M5
TOW 025.2/055 X 05	25.2	55	5	40	2	6	M5
TOW 030.2/060 X 05	30.2	60	5	45	2	6	M5
TOW 035.2/070 X 05	35.2	70	5	50	2	6	M5
TOW 040.2/080 X 07	40.2	80	7	60	2	7	M6
TOW 045.2/090 X 07	45.2	90	7	70	2	7	M6
TOW 050.3/100 X 08	50.3	100	8	75	4	7	M6
TOW 055.3/110 X 08	55.3	110	8	85	4	7	M6
TOW 060.3/120 X 08	60.3	120	8	90	4	9	M8
TOW 065.3/125 X 08	65.3	125	8	95	4	9	M8
TOW 070.3/130 X 10	70.3	130	10	100	4	9	M8
TOW 075.3/140 X 10	75.3	140	10	110	4	9	M8
TOW 080.3/150 X 10	80.3	150	10	120	4	9	M8
TOW 090.5/170 X 10	90.5	170	10	140	4	11	M10
TOW 100.5/190 X 10	100.5	190	10	160	4	11	M10
TOW 120.5/200 X 10	120.5	200	10	175	4	11	M10

d = inside diameter | D = outside diameter | B = thickness | W = perforation circle | d2 = locking hole



**NEED TECHNICAL ADVICE?**

# We are at your service

Are you looking for plain bearings and would like to contact one of our specialist directly? Call us on +31 (0)53 - 432 34 46 or send an e-mail to [info@thn.nl](mailto:info@thn.nl). We'll be happy to help.





Management  
System  
ISO 9001:2015

www.tuv.com  
ID 9108626554



SCAN FOR  
**VCARD**

**THN**

**Hendrik ter Kuilestraat 30  
7547 BD Enschede**

**[www.thn.nl](http://www.thn.nl)**